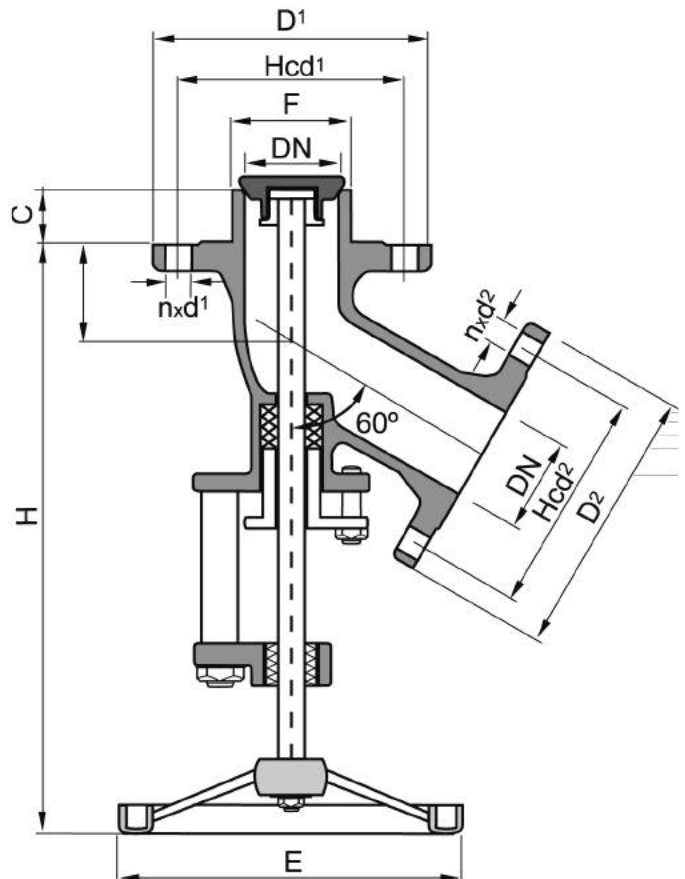


BOTTOM DRAIN VALVE

106192

PN 16

| No | Part | Material |
|----|--------------|----------------------|
| 1 | Body | Stainless steel CF8M |
| 2 | Disc | Stainless steel CF8M |
| 3 | Stem | Stainless steel 316 |
| 4 | Glandpacking | Graphit-PTFE |
| 5 | Gland | Stainless steel CF8M |
| 6 | Nut | SM steel St 52 |
| 7 | Yoke | Stainless steel CF8M |
| 8 | Handwheel | Stainless steel 6625 |



Variants:

Other dimensions/materials on request

| DN | D1 | Hcd1 | n1xd1 | D2 | Hcd2 | n2xd2 | H | C | F | Weight Kg |
|-----|-----|------|-------|-----|------|-------|-----|----|-----|-----------|
| 25 | 150 | 110 | 4x15 | 115 | 85 | 4x14 | 200 | 40 | 49 | 6 |
| 32 | 165 | 125 | 4x17 | 140 | 100 | 4x15 | 200 | 45 | 52 | 7 |
| 40 | 165 | 125 | 4x17 | 150 | 110 | 4x15 | 220 | 45 | 55 | 8 |
| 50 | 185 | 145 | 4x17 | 165 | 125 | 4x17 | 260 | 50 | 70 | 11 |
| 65 | 200 | 160 | 4x18 | 185 | 145 | 4x17 | 320 | 50 | 89 | 15 |
| 80 | 220 | 180 | 4x18 | 200 | 160 | 4x18 | 375 | 55 | 100 | 21 |
| 100 | 250 | 210 | 4x20 | 220 | 180 | 4x18 | 400 | 55 | 124 | 26 |
| 125 | 285 | 240 | 4x20 | 250 | 210 | 4x20 | 450 | 60 | 149 | 38 |
| 150 | 315 | 270 | 4x22 | 285 | 240 | 4x20 | 500 | 60 | 174 | 59 |