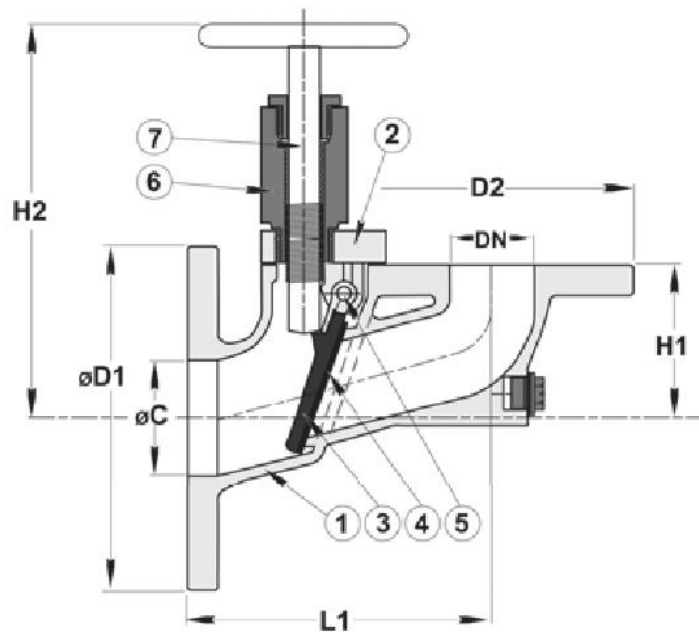


No	Part	Material
1	Body	Cast steel GCS25
2	Bonnet	Cast steel GCS25
3	Disc	Cast steel GCS25
4	Disc ring	Nitril (NBR)
5	Hinge pin	Special brass
6	Stem nut	Special brass
7	Stem	Special brass



Flanges drilled according to PN10. Outlet flange two sizes larger than inlet flange.

Variants:

Material Nodular Cast iron GGG40.3
Other dimensions/materials on request

DN	D1	D2	L1	H1	C	H2	H1	n x Ød	Hcd	Max working-pressure		Weight Kg
										Mpa 60 °C	Mpa °C	
50	200	165	180	90	80	260	140	4x18	125	0,4		13,0
65	220	185	200	100	100	270	140	4x18	145	0,4		15,0
80	250	200	215	108	125	290	140	8x18	160	0,4		21,0
100	285	220	250	130	150	305	140	8x18	180	0,4		26,0
125	315	250	290	152	175	330	160	8x18	210	0,4		37,0
150	340	285	330	176	200	350	160	8x22	240	0,4		45,0
200	395	340	425	200	250	350	160	8x22	295	0,4		74,0
250	445	395	630	370	305	720	720	12x22	350	0,4		150,0
300	565	445	650	370	400	720	720	12x22	400	0,4		250,0