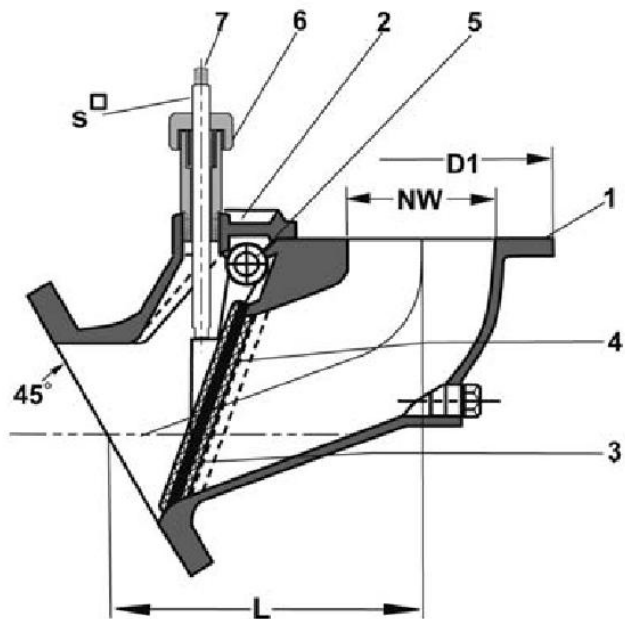




STORMFLAP VALVE PN4 159221

No	Part	Material
1	Body	Bronze Rg5
2	Bonnet	Bronze Rg5
3	Disc	Bronze Rg5
4	Disc ring	Nitril (NBR)
5	Hinge pin	Special brass
6	Stem nut	Special brass
7	Stem	Special brass



Flanges drilled according to PN10

Variants:

Material Bronze Rg10

Other dimensions/materials on request

Other angles of outlet flange

DN	D1	L	Max working-pressure		Weight Kg
			Mpa 80 °C	Mpa °C	
50	165	200	0,4		12,0
65	185	220	0,4		14,0
80	200	240	0,4		20,0
100	220	270	0,4		27,0
125	250	315	0,4		37,0
150	285	345	0,4		45,0