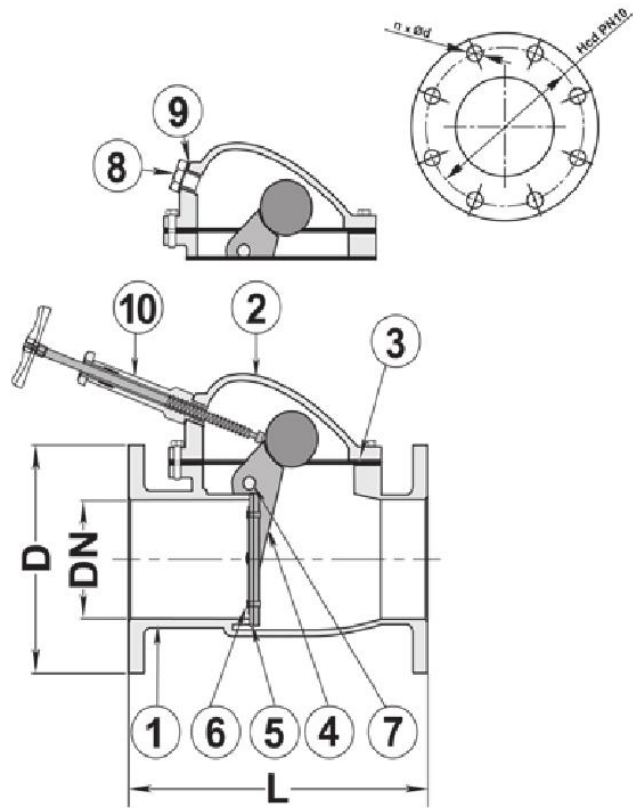


STORMFLAP VALVE PN4 159721

No	Part	Material
1	Body	Bronze Rg5
2	Bonnet	Bronze Rg5
3	Gasket	Nitril (NBR)
4	Flap	Bronze Rg5
5	Seal	Nitril (NBR)
6	Rivet	Copper
7	Shaft	Special brass
8	Plug	Special brass
9	Washer	Copper
10	Closing devices	Special brass



Flanges drilled according to PN10.

Variants:

Material Bronze Rg10

Other dimensions/materials on request

DN	D	Hcd	ØAxn	L	Max working-pressure		Weight Kg
					Mpa	80 °C	
40	150	110	4x18	180	0,4		12,0
50	165	125	4x18	200	0,4		16,0
65	185	145	4x18	240	0,4		18,0
80	200	160	8x18	260	0,4		26,0
100	220	180	8x18	300	0,4		33,0
125	250	210	8x18	350	0,4		44,0
150	285	240	8x22	400	0,4		66,0
200	300	295	8x22	500	0,4		111,0