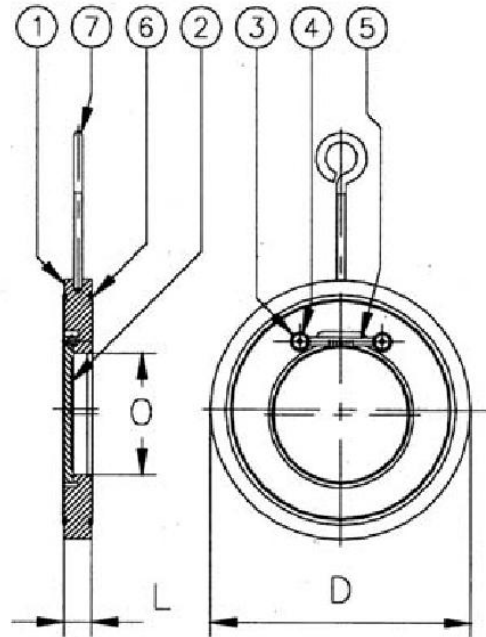


SWING CHECK VALVE PN10/16 305071/305072

No	Part	Material
1	Body	Alu.bronze G - CuAl 11
2	Disc	Alu.bronze G - CuAl 11
3	Shaftlock	Stainless Steel SS316
4	Bolt	Stainless steel SS316
5	Shaft	Stainless steel SS316
6	O-ring	NBR
7	Eye bolt	Steel, zincplated



Variants:
 PTFE- Viton- EPDM-sealing
 Metal-sealing
 With spring
 DN200-500 available PN16
 Other dimensions/materials on request

DN	O	L	D	Max working-pressure		Weight Kg
				Mpa 80 °C	Mpa °C	
40	22	15	94	1,6		0,9
50	33	14	109	1,6		0,9
65	41	14	129	1,6		1,2
80	54	14	144	1,6		1,5
100	71	18	164	1,6		2,5
125	92	18	194	1,6		3,3
150	112	20	220	1,6		4,7
305071 PN10						
200	155	22	275	1,0		7,8
250	201	26	330	1,0		13,0
300	240	32	380	1,0		19,0
350	270	38	440	1,0		34,0
400	311	44	493	1,0		46,0
450	361	50	543	1,0		63,0
500	405	56	598	1,0		88,0