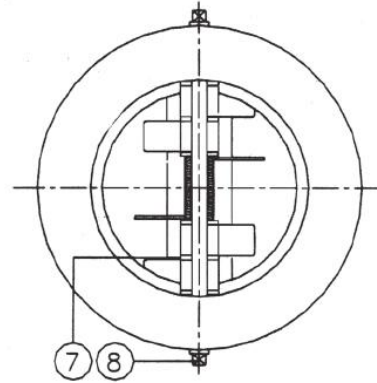
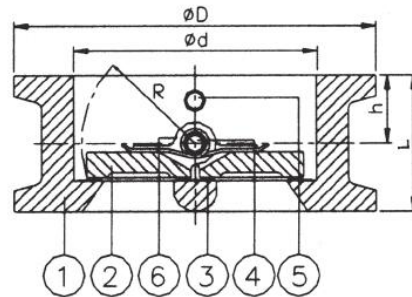


DUAL PLATE CHECK VALVE 10K - 315109

No	Part	Material
1	Body	Nodular cast iron GGG40.3
2	Plate	Alu.bronze
3	Seat	NBR
4	Stop pin	AISI 316
5	Hinge pin	AISI 316
6	Spring	AISI-316 WPA
7	Bearing	PTFE
8	Plug	AISI 316
9		
10		



Variants:
Seat in EPDM or Viton

Other dimensions/materials on request

DN	D	d	L	Max working-pressure		Weight Kg
				Mpa 80 °C	Mpa 110 °C	
50	105	60	55	1,0	0,6	2,5
65	122	73	55	1,0	0,6	3,0
80	132	89	58	1,0	0,6	2,5
100	156	114	64	1,0	0,6	4,5
125	187	141	70	1,0	0,6	8,0
150	217	168	75	1,0	0,6	10,0
200	267	219	95	1,0	0,6	13,0
250	330	274	110	1,0	0,6	28,0
300	375	324	144	1,0	0,6	45,0
350	417	356	184	1,0	0,6	68,0