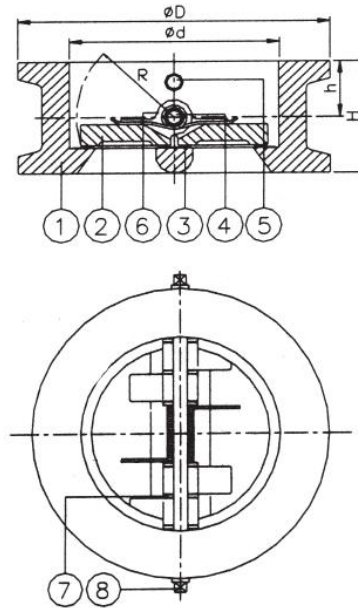


DUAL PLATE CHECK VALVE ANSI 150 - 31597

No	Part	Material
1	Body	ASTM B351 - CF8M
2	Plate	ASTM B351 - CF8M
3	Seat	NBR
4	Stop pin	AISI 316
5	Hinge pin	AISI 316
6	Spring	Inconel X-750
7	Bearing	PTFE
8	Plug	AISI 316
9		
10		

Variants:

Seat in EPDM or Viton



Other dimensions/materials on request

DN	D	d	H	R radius	Max working-pressure Mpa		Weight Kg
					-29 to 38 °C	149 °C	
50	105	60	60	27	1,96	1,58	
65	124	73	67	33	1,96	1,58	
80	137	89	73	41	1,96	1,58	
100	175	114	73	54	1,96	1,58	
125	197	141	86	65	1,96	1,58	
150	222	168	98	79	1,96	1,58	
200	279	219	127	102	1,96	1,58	
250	340	273	146	126	1,96	1,58	
300	410	324	181	152	1,96	1,58	