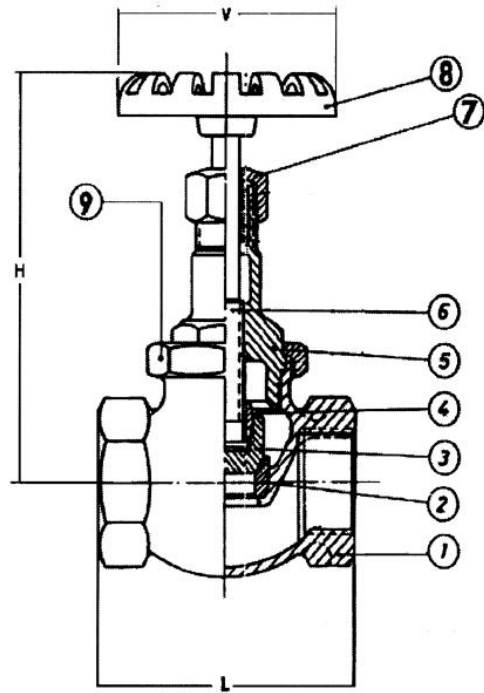


## STOP VALVE PN25 335023

No	Part	Material
1	Body	Bronze Rg5
2	Seat	Bronze Rg5
3	Disc	Bronze Rg5
4	Lock nut	Bronze Rg5
5	Bonnet	Bronze Rg5
6	Stem	Cu Al 10 Ni
7	Packing nut	Bronze Rg5
8	Handwheel	Stainless Steel SS316
9	Security nut	Bronze Rg5
10		



**Variants:**

S.D.N.R. = Non-return disc

R = Parabolic disc

PTFE-sealing

Other dimensions/materials on request

DN	D				L	Hmax	Max working-pressure		Weight Kg
							Mpa 100 °C	Mpa 225 °C	
15	1/2"				67	111	3,0	2,0	0,6
20	3/4"				80	123	3,0	2,0	0,9
25	1"				95	141	3,0	2,0	1,3
32	1 1/4"				112	160	3,0	2,0	2,1
40	1 1/2"				132	163	3,0	2,0	2,9
50	2"				160	206	3,0	2,0	4,7