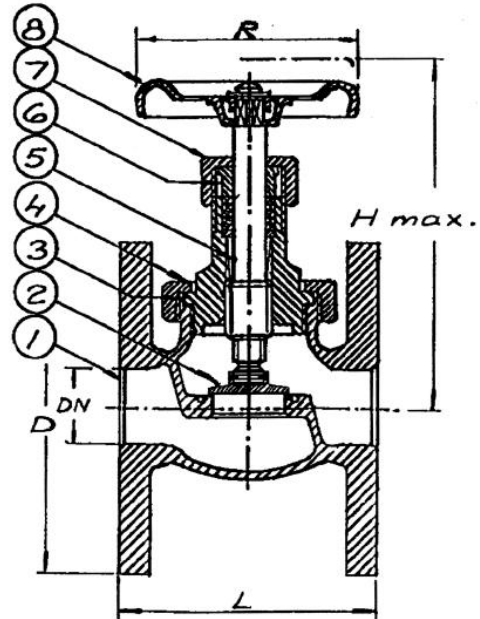


## STOP VALVE PN25 335233

No	Part	Material
1	Body	Bronze Rg5
2	Disc	Bronze Rg5
3	Bonnet	Bronze Rg5
4	Lock nut	Bronze Rg5
5	Stem	Cu Al 10 Ni
6	Gland	Special brass
7	Gland nut	Special brass
8	Handwheel	Stainless steel



**Variants:**

S.D.N.R. = Non-return disc

R = Parabolic disc

PTFE-sealing

EPDM-sealing

Other dimensions/materials on request

DN	D	n	Hcd	d	L	Hmax	Max working-pressure		Weight Kg
							Mpa 100 °C	Mpa 225 °C	
15	95	4	65	14	80	111	3,0	2,0	1,6
20	105	4	75	14	90	123	3,0	2,0	2,2
25	115	4	85	14	100	141	3,0	2,0	3,0
32	140	4	100	18	110	160	3,0	2,0	4,8
40	150	4	110	18	130	163	3,0	2,0	5,8
50	165	4	125	18	150	206	3,0	2,0	8,8
65	185	4	145	18	170	230	3,0	2,0	8,8
80	200	8	160	18	200	280	3,0	2,0	8,8