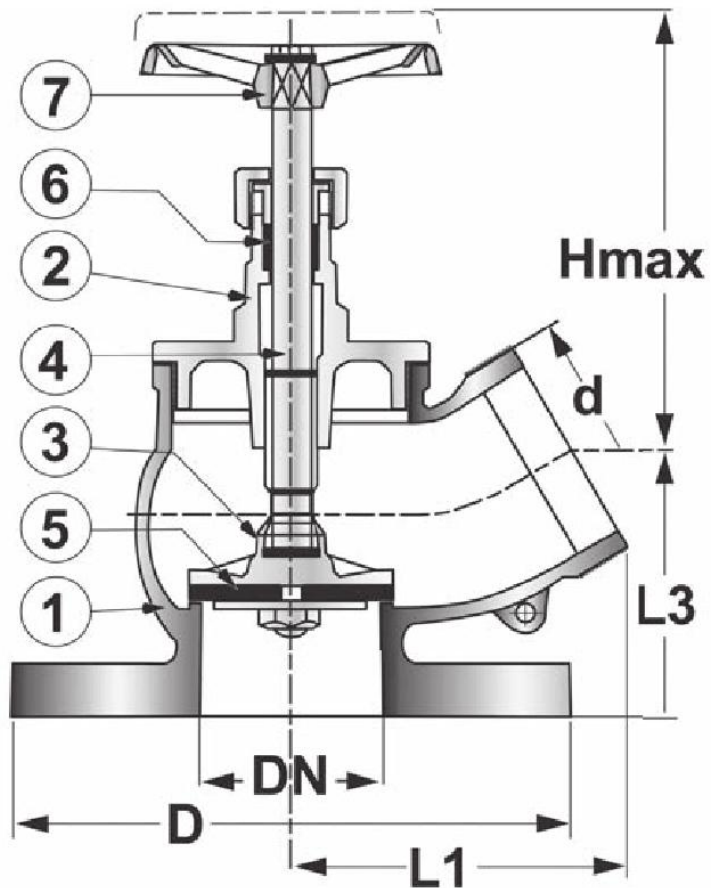


FIRE VALVE PN16 - 355922

No	Part	Material
1	Body	Bronze Rg5
2	Bonnet	Special brass
3	Disc ring	EPDM
4	Disc	Special brass
5	Stem	Special brass
6	Glandpacking	Klinger 200
7	Handwheel	Cast iron



Flange drilled acc. to PN16

Variants:
With coupling

Other dimensions/materials on request

DN	d	D	L1	L3	Hmax	Max working-pressure		Weight Kg
						Mpa	90 °C	
50	2"	165	100	75	150	1,6		5,1
65	2 1/2"	185	110	87	165	1,6		7,0