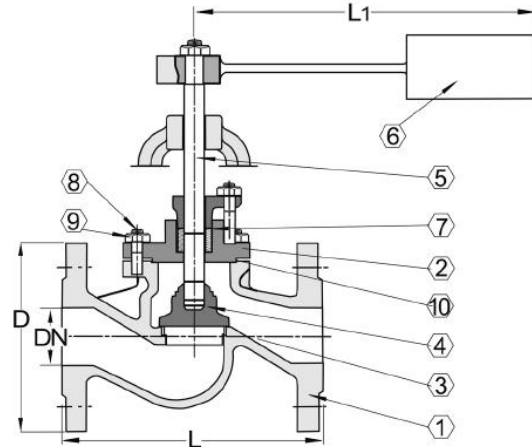


SELF CLOSING VALVE PN16 358052

No	Part	Material
1	Body	Cast iron GG25
2	Bonnet	Cast iron GG25
3	Seat ring	Stainless steel
4	Disc	Stainless steel
5	Stem	Stainless steel
6	Weight	Cast iron GG25
7	Gland packing	Graphite
8	Bolt	Steel, zincplated
9	Nut	Steel, zincplated
10	Gasket	Graphite



Variants:

Other dimensions/materials on request

DN	D	n	Hcd	d	L	L1	Max working-pressure		Weight Kg
							Mpa 120 °C	Mpa 300 °C	
20	105	4	75	14	150	230	1,6	1,0	5,8
25	115	4	85	14	160	230	1,6	1,0	7,0
32	140	4	100	18	180	250	1,6	1,0	8,5
40	150	4	110	18	200	250	1,6	1,0	11,0
50	165	4	125	18	230	280	1,6	1,0	14,5
65	185	4	145	18	290	300	1,6	1,0	20,0