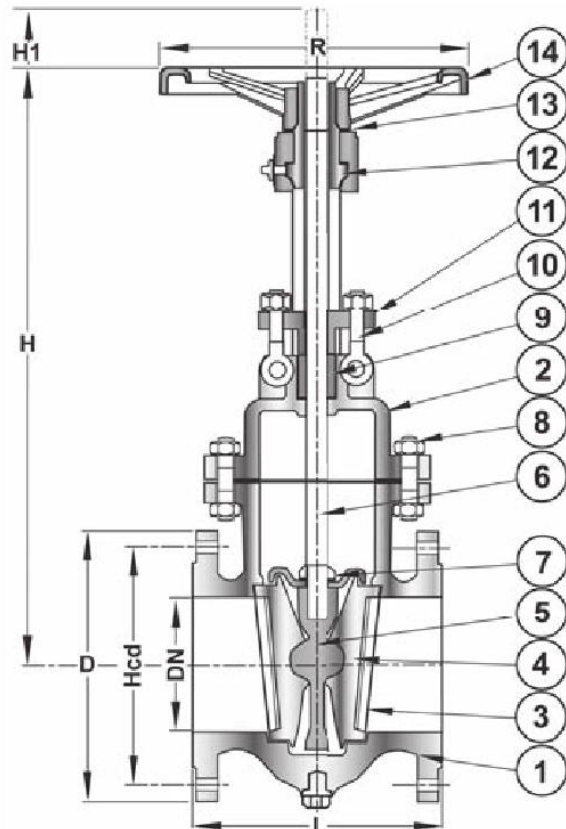




GATE VALVE PN16 398362

No	Part	Material
1	Body	Cast Steel GS-C25
2	Bonnet	Cast Steel GS-C25
3	Seat	Stainless steel
4	Disc	Cast steel
5	Disc holder <DN 125	Nodular cast iron
	Disc holder <DN 150	Cast Steel GS-C25
6	Stem	Stainless steel
7	Disc nut	Steel
8	Boly/Nut	Steel zincplated
9	Gland packing	Graphite
10	Bolt	Steel zincplated
11	Gland	Nodular cast iron
12	Bushing	Gunmetal LG2
13	Washer	Gunmetal LG2
14	Handwheel	Nodular cast iron



DN	D	L	Hcd	H	H1	R	Max working-pressure		Weight Kg
							Mpa 150 °C	Mpa °C	
50	165	180	125	345	405	180	1,6		25,0
65	185	200	145	380	460	220	1,6		33,0
80	200	210	160	410	500	220	1,6		41,0
100	220	230	180	470	580	280	1,6		51,0
125	250	255	210	520	655	280	1,6		64,0
150	285	280	240	655	835	320	1,6		87,0
200	340	330	295	800	1035	360	1,6		162,0
250	405	380	355	945	1230	400	1,6		248,0
300	460	430	410	1100	1430	450	1,6		370,0
350	520	480	470	1275	1665	450	1,6		490,0