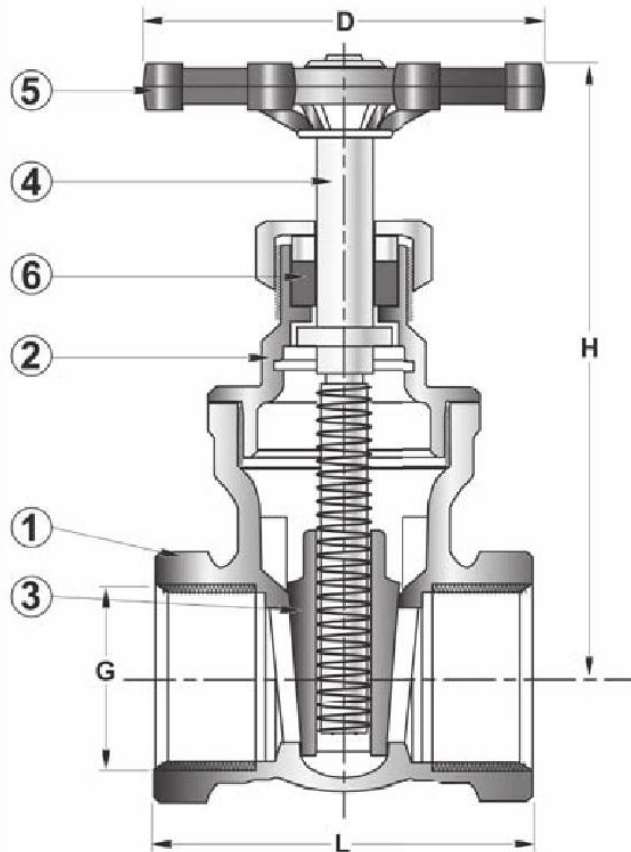




GATE VALVE PN16 400692

| No | Part | Material |
|----|--------------|-----------------------|
| 1 | Body | Stainless steel SS316 |
| 2 | Bonnet | Stainless steel SS316 |
| 3 | Disc | Stainless steel SS316 |
| 4 | Stem | Stainless steel SS316 |
| 5 | Handwheel | Cast iron |
| 6 | Glandpacking | PTFE |



Variants:

Other dimensions/materials on request

| DN | G | L | H | D | Max working-pressure | | Weight Kg |
|----|--------|----|-----|----|----------------------|------------|-----------|
| | | | | | Mpa 20 °C | Mpa 180 °C | |
| 15 | 1/2" | 57 | 100 | 62 | 1,6 | 1,15 | 0,4 |
| 20 | 3/4" | 62 | 100 | 62 | 1,6 | 1,15 | 0,5 |
| 25 | 1" | 69 | 123 | 75 | 1,6 | 1,15 | 0,8 |
| 32 | 1 1/4" | 79 | 123 | 75 | 1,6 | 1,15 | 1,1 |
| 40 | 1 1/2" | 82 | 150 | 95 | 1,6 | 1,15 | 1,5 |
| 50 | 2" | 95 | 170 | 95 | 1,6 | 1,15 | 2,1 |