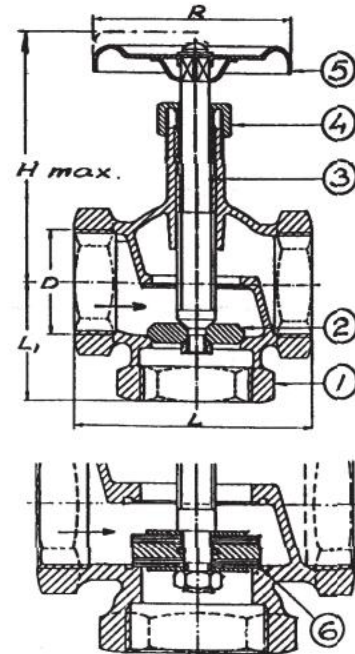


No	Part	Material
1	Body	Bronze Rg5
2	Disc	Special brass
3	Stem	Special brass
4	Gland nut	Special brass
5	Handwheel	Pressed steel
6	Disc ring	PTFE
7		
8		



Variants:

Other dimensions/materials on request

DN	D	L	L1	Hmax	Max working-pressure		Weight Kg
					Mpa 100 °C	Mpa 185 °C	
15	1/2"	65	33	95	1,0	0,85	0,6
20	3/4"	76	40	100	1,0	0,85	0,7
25	1"	80	42	105	1,0	0,85	0,8
32	1 1/4"	90	48	115	1,0	0,85	1,3
40	1 1/2"	102	54	130	1,0	0,85	1,7
50	2"	136	68	145	1,0	0,85	3,3
65	2 1/2"	160	80	190	1,0	0,85	5,7
80	3"	180	90	225	1,0	0,85	9,0