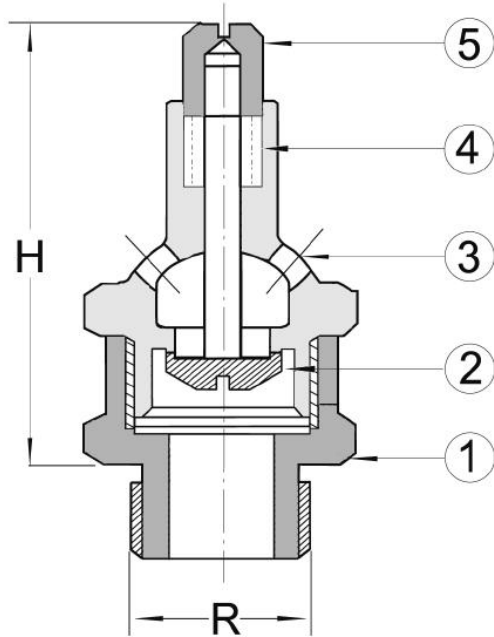


VACUUM VALVE PN16 - 414212

No	Part	Material
1	Body	Brass CuZn39Pb3
2	Disc	Brass CuZn39Pb3
3	Bonnet	Brass CuZn39Pb3
4	Spring	Stainless steel SS316
5	Knob	Brass CuZn39Pb3
6		
7		
8		
9		
10		



Variants:

Other dimensions/materials on request

DN	R	H	Max working-pressure		Weight Kg
			Mpa 100 °C	Mpa 185 °C	
10	3/8"	41	1,6	1,35	0,2
15	1/2"	51	1,6	1,35	0,2
20	3/4"	62	1,6	1,35	0,3