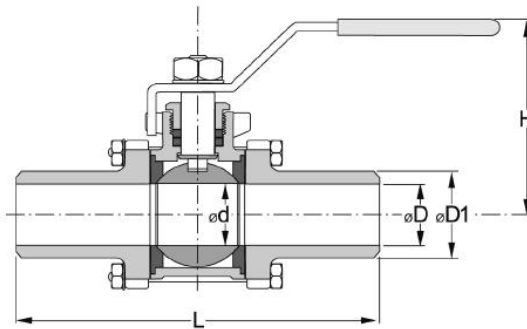


BALL VALVE FULL BORE LUGGED BUTT WELD ENDS - 440695

No	Part	Material
1	Body	Stainless steel SS316
2		
3	Ball	Stainless steel SS316
4	Seating	PTFE 15% glasfibre
5	Bolt	Stainless steel SS304
6	Stem packing	PTFE
7	Stem	Stainless steel SS316
8	Lever	Stainless steel SS304
9	Butt weld end	Stainless steel SS316
10		

With ISO-top flange

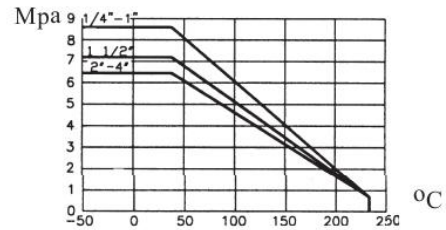


Variants:

Various actuators

Seating Carbon filled PTFE

Other dimensions/materials on request



DN	D	D1	d	L	H	Max working-pressure		Weight Kg
						acc. to above chart		
8	11,6	15,2	11,6	225	45			0,7
10	12,7	17,2	12,7	225	45			0,9
15	15,0	21,3	15,0	225	49			1,5
20	20,0	26,9	20,0	225	52			1,9
25	25,4	34,5	25,4	255	72			2,4
32	32,0	43,5	32,0	255	78			2,8
40	38,0	50,0	38,0	260	86			3,4
50	50,0	61,5	50,0	275	95			5,0
65	65,0	77,0	65,0	334	130			9,1
80	80,0	90,0	80,0	334	142			14,8
100	100,0	115,0	100,0	365	173			21,4