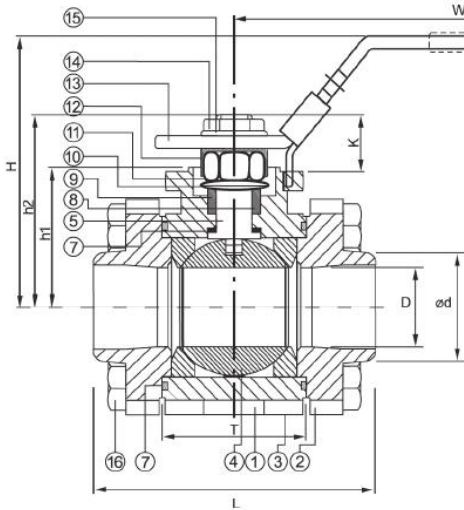
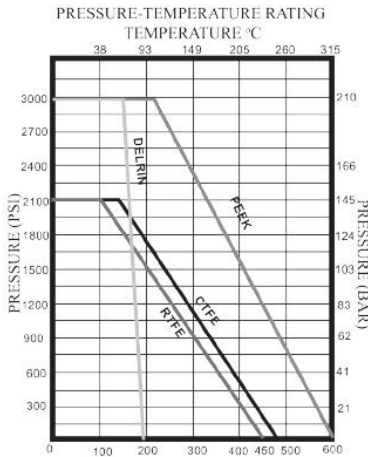




BALL VALVE FULL BORE BUTT WELD END PN210 - 441596



No	Part	Material
1	Body	Stainless steel SS316
2	Cap	Stainless steel SS316
3	Ball seat	PEEK
4	Ball	Stainless steel SS316
5	Stem	Stainless steel SS316
6	Body Seal	GRAPHITE
7	Thrust Washer	CTFE/GRAPHITE
8	Packing	CTFE/GRAPHITE
9	Gland ring	AISI 304
10	Disc spring	AISI 301
11	Packing nut	AISI 304
12	Lock Pad	
13	Handle	
14	Handle nut	
15	Spring Washer	
16	Bolt	



Variants:

- Various actuators
- Various Seatrings

Other dimensions/materials on request

DN	D	L	d	H	K	Max working-pressure		Weight Kg
						acc. to above chart		
15	14,3	74,8	22	61,2	15,3			0,7
20	20,7	80	28	81,5	16,8			0,9
25	25,4	93,1	34	86,2	17			1,5
32	31,5	109,5	41	96,3	29,6			1,9
40	38,0	120	49	101,1	29,6			2,4
50	50,8	139,6	61	111,6	29,6			2,8