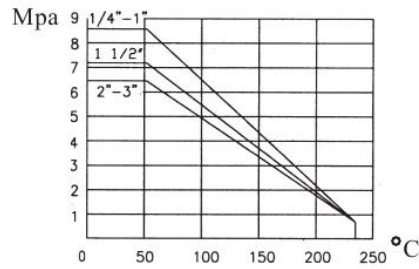
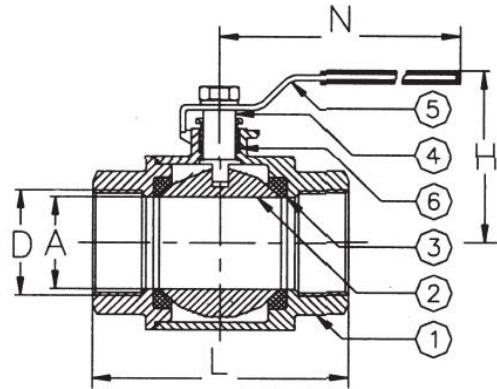


## BALL VALVE FULL BORE SCREWED END PN64 - 442095

No	Part	Material
1	Body	Stainless steel SS316
2	Ball	Stainless steel SS316
3	Seatring	PTFE 15% glasfibre
4	Stem	Stainless steel SS316
5	Lever	Stainless steel SS304
6	Stem packing	PTFE
7		
8		
9		
10		



**Variants:**

Seatring Carbon filled PTFE

Other dimensions/materials on request

DN	D	A	N	L	H	Max working-pressure		Weight Kg
						acc. to above chart		
8	1/4"	10	120	55	64			0,3
10	3/8"	12	120	60	64			0,3
15	1/2"	15	120	75	66			0,3
20	3/4"	20	130	80	66			0,6
25	1"	25	155	90	80			1,1
32	1 1/4"	32	155	110	86			1,6
40	1 1/2"	38	185	119	97			2,3
50	2"	50	185	140	105			3,8
65	2 1/2"	63	250	185	146			6,8
80	3"	76	250	205	155			11,6
100	4"	100	280	240	175			11,6