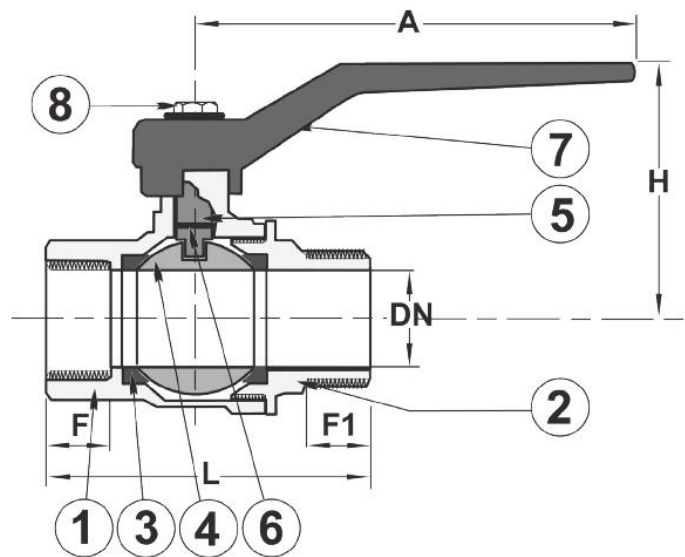




BALL VALVE FULL BORE SCREWED END PN30 / 20 - 442113

No	Part	Material
1	Body	Brass, Hardchrome
2	Coupling	Brass, Hardchrome
3	Seating	PTFE
4	Ball	Brass, Hardchrome
5	Stem	Brass, Hardchrome
6	O-ring	NBR
7	Handle	Aluminium
8	Screw	Fe galvanized



Other dimensions/materials on request

DN		A	H	L	F	F1	Max working-pressure		Weight Kg
							Mpa 100 °C	Mpa °C	
10	3/8"	85	40	49	11	11	3,0		
15	1/2"	90	45	57	11	12	3,0		
20	3/4"	90	50	66	12	13	3,0		
25	1"	90	60	75	14	15	3,0		
32	1 1/4"	125	70	88	15	16	3,0		
40	1 1/2"	125	75	100	15	16	3,0		
50	2"	160	90	120	18	20	3,0		
65	2 1/2"	210	115	148	20	20	2,0		
80	3"	270	130	170	22	22	2,0		
100	4"	310	160	200	25	25	2,0		