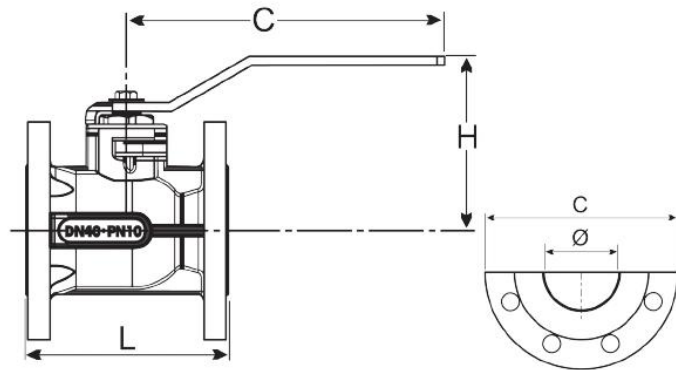




BALL VALVE FULL BORE FLANGED END PN16 / 10 - 445152

| No | Part | Material |
|----|--------------|-------------------|
| 1 | Body | Cast iron GG25 |
| 2 | Ball | Hardchromed brass |
| 3 | Seatring | PTFE |
| 4 | Stem | Hardchromed brass |
| 5 | Stem packing | NBR |
| 6 | Lever | Cast iron Fe360C |



Variants:

Various actuators

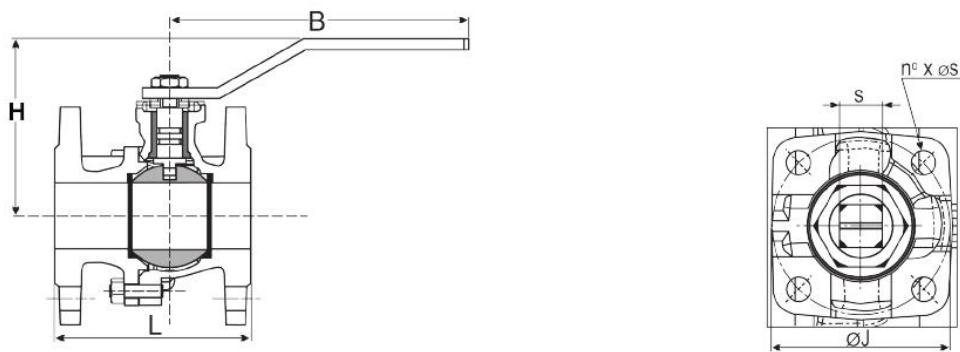
Seatring Carbon filled PTFE

Ball Stainless steel SS304 or SS316

Stem in SS304

Other dimensions/materials on request

| DN | L | H | C | B | Ø | Weight Kg |
|----|-----|-----|-----|-----|----|-----------|
| 15 | 120 | 85 | 105 | 130 | 20 | 2,7 |
| 20 | 120 | 85 | 105 | 130 | 20 | 2,7 |
| 25 | 125 | 95 | 115 | 170 | 25 | 3,6 |
| 32 | 130 | 100 | 140 | 170 | 32 | 4,8 |



| DN | L | H | B | ISO F | D | nxØs | ØJ | S | Weight Kg |
|-----|-----|-----|------|-------|----|------|-----|----|-----------|
| 40 | 149 | 125 | 230 | 05 | 7 | 4x7 | 50 | 14 | 7,5 |
| 50 | 150 | 135 | 230 | 05 | 7 | 4x7 | 50 | 14 | 9,0 |
| 65 | 170 | 143 | 230 | 05 | 7 | 4x7 | 50 | 14 | 10,5 |
| 80 | 180 | 165 | 280 | 07 | 9 | 4x9 | 70 | 17 | 15,5 |
| 100 | 190 | 180 | 360 | 07 | 9 | 4x9 | 70 | 17 | 18,5 |
| 125 | 200 | 225 | 450 | 10 | 11 | 4x11 | 102 | 22 | 28,0 |
| 150 | 210 | 243 | 560 | 10 | 11 | 4x11 | 102 | 22 | 38,5 |
| 200 | - | 320 | 1000 | 12 | 13 | 4x14 | 125 | - | 93,0 |
| 250 | - | - | 350 | 12 | 13 | - | - | - | 180,0 |