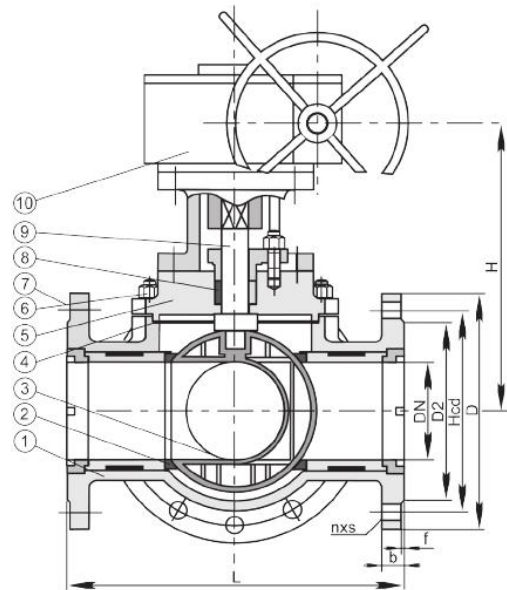
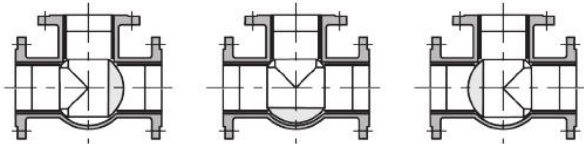


3 - WAY BALL VALVE WITH GEAR PN16 - 448162

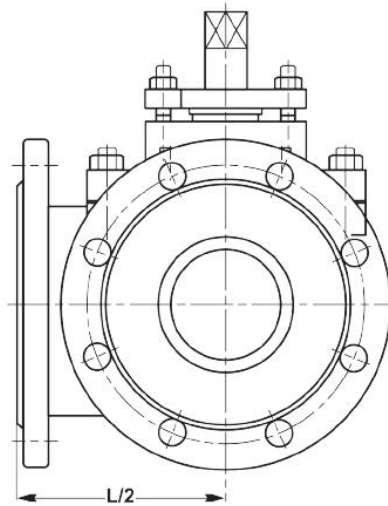
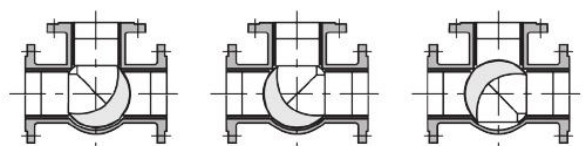
No	Part	Material
1	Body	ASTM A216-WCB
2	Seat	PTFE
3	Ball	ASTM A276-316
4	Gasket	Flexible graphite/304
5	Bonnet	ASTM A216-WCB
6	Body bolt	ASTM A193 Gr.B7
7	Body bolt nut	ASTM A194 Gr.2H
8	Packing	PTFE
9	Stem	ASTM A182-F6a
10	Gear actuator	Component Part



3 WAY BALL VALVE, T-PORT



3 WAY BALL VALVE, L-PORT



DN	L	L/2	H	D	Hcd	D2	b	f	nxs	kg
125	380	190	275	250	210	188	22	3	8 x 18	107,0
150	440	220	305	285	240	212	22	3	8 x 22	125,0
200	550	275	335	340	295	268	24	3	12 x 22	200,0