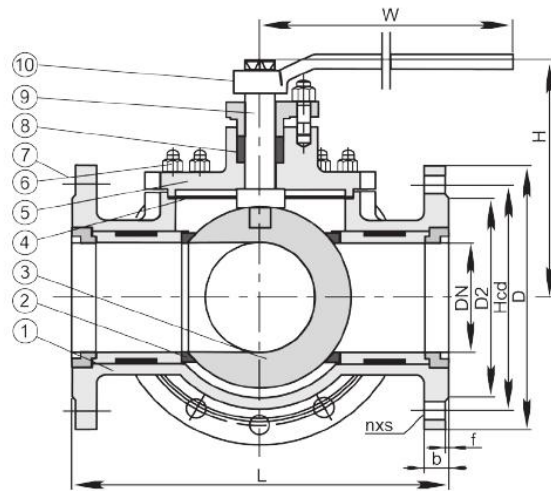
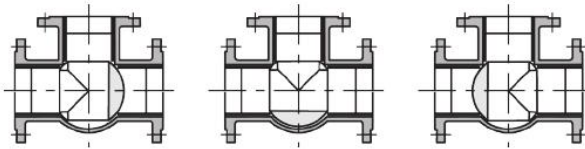


3 - WAY BALL VALVE PN16 - 448162

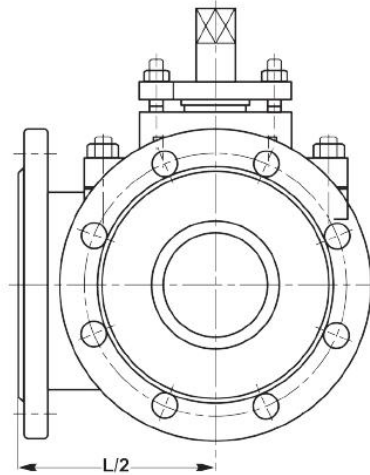
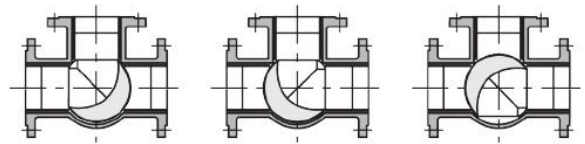
No	Part	Material
1	Body	ASTM A216-WCB
2	Seat	PTFE
3	Ball	ASTM A276-316
4	Gasket	Flexible graphite/304
5	Bonnet	ASTM A216-WCB
6	Body bolt	ASTM A193 Gr.B7
7	Body bolt nut	ASTM A194 Gr.2H
8	Packing	PTFE
9	Stem	ASTM A182-F6a
10	Handle	Carbon Steel



3 WAY BALL VALVE, T-PORT



3 WAY BALL VALVE, L-PORT



DN	L	L/2	H	D	Hcd	D2	b	f	nxs	kg
15	140	70	90	95	65	45	16	2	4 x 14	6,0
20	160	80	95	105	75	58	18	2	4 x 14	8,0
25	180	90	105	115	85	68	18	2	4 x 14	10,0
32	200	200	115	140	100	78	18	2	4 x 18	11,0
40	220	110	135	150	110	88	18	3	4 x 18	13,0
50	240	120	140	165	125	102	20	3	4 x 18	24,0
65	260	130	155	185	145	122	18	3	4 x 18	36,0
80	280	140	185	200	160	138	20	3	8 x 18	42,0
100	320	160	210	220	180	158	20	3	8 x 18	70,0