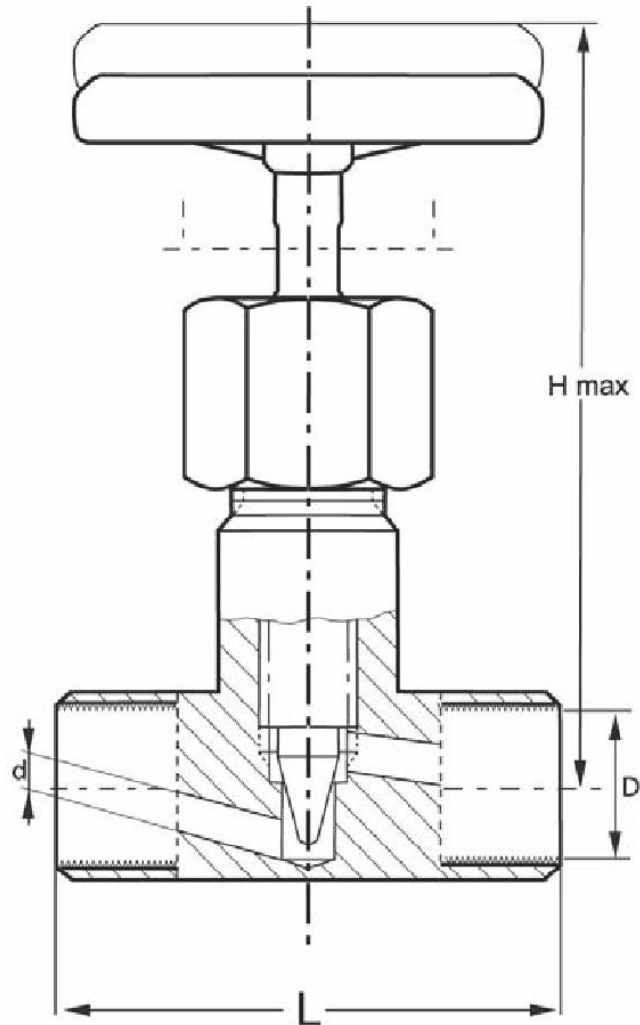




## NEEDLE VALVE PN100 460515

No	Part	Material
1	Body	Brass CuZn39Pb3
2	Stem	Brass CuZn39Pb3
3	Glandpacking	Graphite
4	Gland	Brass CuZn39Pb3
5	Gland nut	Brass CuZn39Pb3
6	Handwheel	Pressed steel



**Variants:**  
 Locked gland nut  
 Other dimensions/materials on request

DN	D			d	L	Hmax	Max working-pressure		Weight Kg
							Mpa 100 °C	Mpa 185 °C	
8	1/4"			4	48	70	10,0	8,5	0,30
10	3/8"			5	54	75	10,0	8,5	0,30
15	1/2"			5	56	75	10,0	8,5	0,33