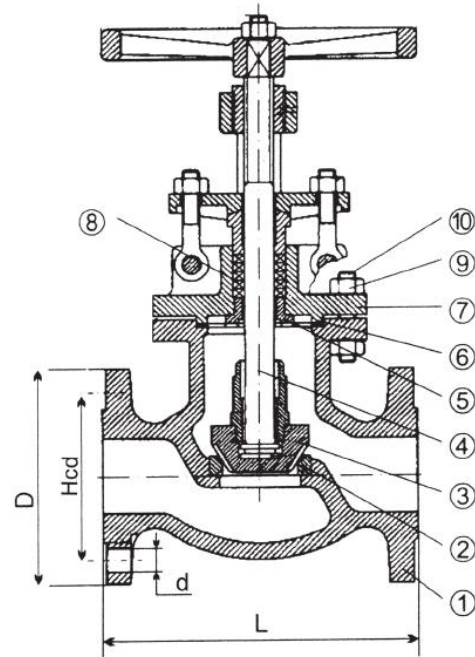


GLOBE VALVE ANSI 300 - 467068

No	Part	Material
1	Body	A216 WCB
2	Seat ring	A105 + 13% Cr
3	Disc	A105 + 13% Cr
4	Stem	A182 F6a
5	Backseat	A182 F6a
6	Gasket	Graphite
7	Bonnet	A216 WCB
8	Packing	Graphite
9	Stud nut	A 194 2H
10	Stud	A193 B7

Variants:



Other dimensions/materials on request

DN	D	n	Hcd	d	L	Max working-pressure Mpa		Weight Kg
						-29 to 38 °C	400 °C	
50	165	8	127	18	267	5,1	4,51	34,0
65	191	8	149	23	298	5,1	4,51	45,0
80	210	8	168	23	318	5,1	4,51	60,0
100	254	8	200	23	356	5,1	4,51	95,0
125	279	8	235	22	400	2,0	1,58	
150	318	12	270	23	445	5,1	4,51	200,0
200	381	12	330	26	559	5,1	4,51	315,0
250	445	16	387	30	622	5,1	4,51	458,0