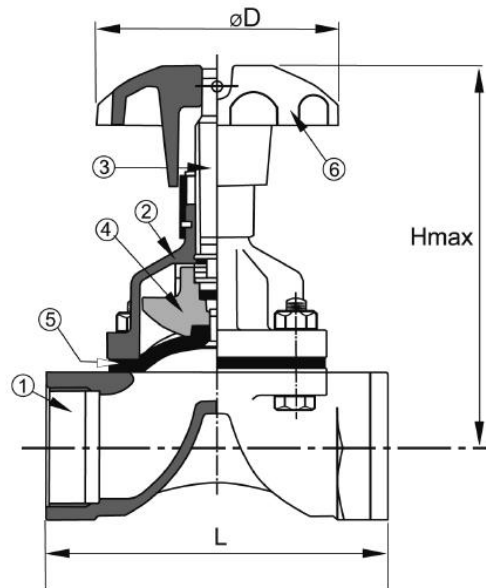


DIAPHRAGM VALVE PN10 469021

No	Part	Material
1	Body	Bronze Rg5
2	Bonnet	Bronze Rg5
3	Stem	CuZn35Ni
4	Disc	Cast iron GG25
5	Diaphragm	NBR
6	Handwheel	Cast iron GG25
7		
8		
9		
10		

Variants:

Diaphragm EPDM



Other dimensions/materials on request

DN	G		D	L	Hmax	Max working-pressure		Weight Kg
						Mpa	120 °C EPDM	
15	1/2"		82	64	90	1,0		1,3
20	3/4"		82	83	94	1,0		1,5
25	1"		120	111	119	1,0		2,2
32	1 1/4"		120	124	155	1,0		3,0
40	1 1/2"		120	143	164	1,0		3,9
50	2"		120	168	188	1,0		4,6