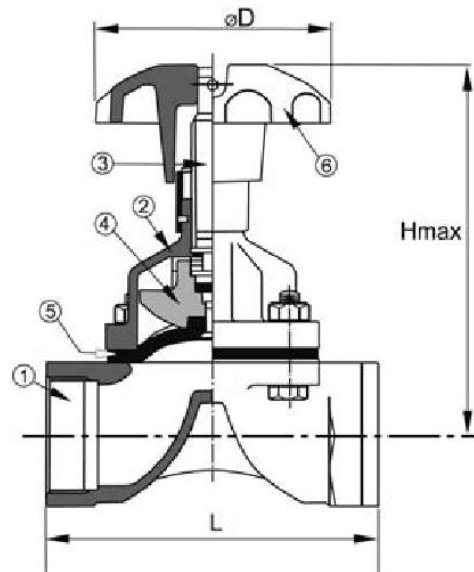




DIAPHRAGM VALVE PN16 469052

No	Part	Material
1	Body	Cast iron GG25
2	Bonnet	Cast iron GG25
3	Stem	Cast steel GSC25
4	Disc	Cast iron GG25
5	Diaphragm	NBR
6	Handwheel	Cast iron GG25



Variants:

Diaphragm EPDM

Diaphragm Natural-rubber

Other dimensions/materials on request

DN	G			D	L	Hmax	Max working-pressure		Weight Kg
							Mpa 120 °C EPDM	Mpa °C	
15	1/2"			82	64	90	1,6		1,3
20	3/4"			82	83	94	1,6		1,5
25	1"			120	111	119	1,6		2,2
32	1 1/4"			120	124	155	1,6		3,0
40	1 1/2"			120	143	164	1,6		3,9
50	2"			120	168	188	1,6		4,6

3: 2