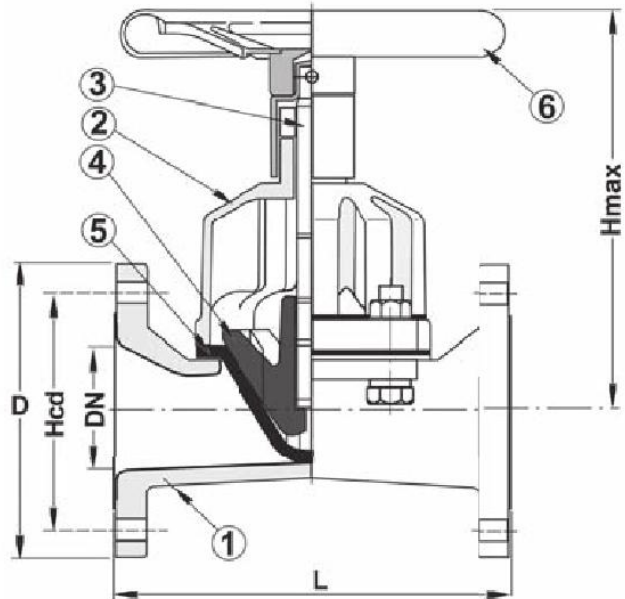


DIAPHRAGM VALVE PN16 469652

No	Part	Material
1	Body	Cast iron GG25
2	Bonnet	Cast iron GG25
3	Stem	Cast stel GSC25
4	Disc	Cast iron GG25
5	Diaphragm	NBR
6	Handwheel	Cast iron GG25



Variants:
 Diaphragm EPDM
 Diaphragm Natural-rubber
 Hard rubber lined
 Other dimensions/materials on request

DN	D	n x Ød	Hcd	L	Hcd	Max working-pressure		Weight Kg
						Mpa 120 °C EPDM	Mpa °C	
15	95	4x14	65	130	105	1,6		2,8
20	105	4x14	75	150	115	1,6		3,3
25	115	4x14	85	160	132	1,6		4,6
32	140	4x18	100	180	140	1,6		5,8
40	150	4x18	110	200	180	1,6		8,0
50	165	4x18	125	230	210	1,6		12,0
65	185	4x18	145	290	235	1,0		17,0
80	200	8x18	160	310	305	1,0		24,0
100	220	8x18	180	350	340	1,0		34,0
125	250	8x18	210	400	420	1,0		52,0
150	285	8x22	240	480	490	1,0		70,0
200	340	8x22	295	600	645	0,8		135,0