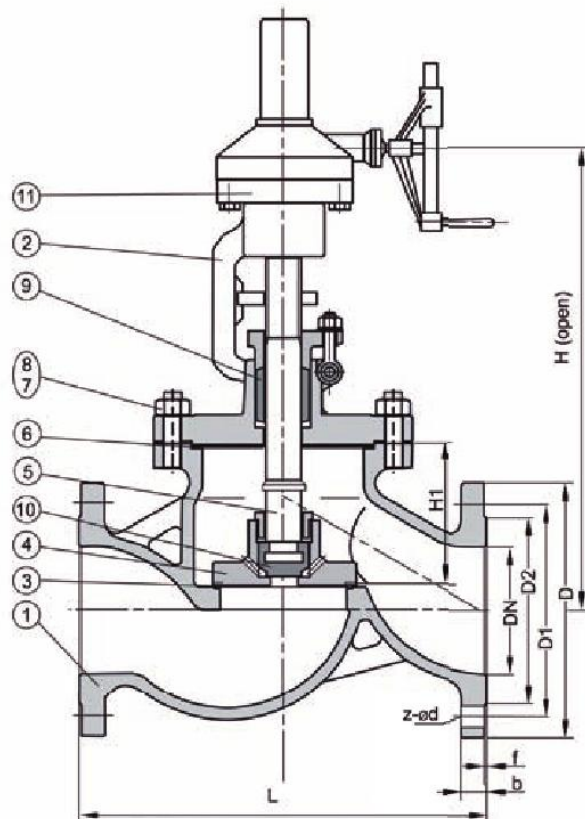


## COMBINED STOP AND CHECK VALVE PN16 471762

No	Part	Material
1	Body	ASTM A216-WCB
2	Bonnet	ASTM A216-WCB
3	Seat	Deposited 13Cr
4	Disc	ASTM A105 deposited 13Cr
5	Stem	ASTM A182-F6a
6	Gasket	Flexible graphite/304
7	Bonnet Bolt	C35
8	Bonnet Bolt Nut	C45
9	Packing	Flexible graphite
10	Secondary Disc	ASTM A217-420
11	Gear Box	Component part



DN	L	H	H1	-	D	D1	D2	b	f	z-ød	Weight Kg
200	600	630	190	-	340	295	268	24	3	12-22	163
250	650	710	230	-	405	355	320	26	3	12-26	250
300	750	750	295	-	460	410	378	28	4	12-26	510
350	850	790	310	-	520	470	438	30	4	16-26	710