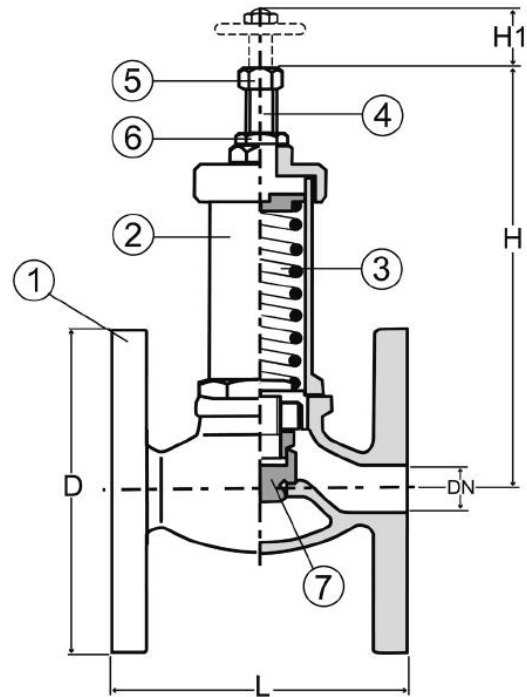


SAFETY VALVE PN16 - 473895

No	Part	Material
1	Body	Bronze Rg5
2	Bonnet	Bronze Rg5
3	Spring	Stainless steel SS316
4	Stem	Special brass
5	Nut	Special brass
6	Locking nut	Special brass
7	Disc	Bronze Rg5

Variants:

Threaded end



Other dimensions/materials on request

DN	D	n	Hcd	d	L	H	H1	Max working-pressure		Weight Kg
								Mpa		
15	95	4	65	14	85	130	30	1,3		1,9
20	105	4	75	14	60	140	30	1,3		2,4
25	115	4	85	14	110	150	30	1,3		3,4
32	140	4	100	18	130	190	20	1,3		5,2
40	150	4	110	18	150	210	25	1,3		6,5
50	165	4	125	18	180	225	25	1,3		9,1
65	185	4	145	18	230	270	20	1,3		14,0