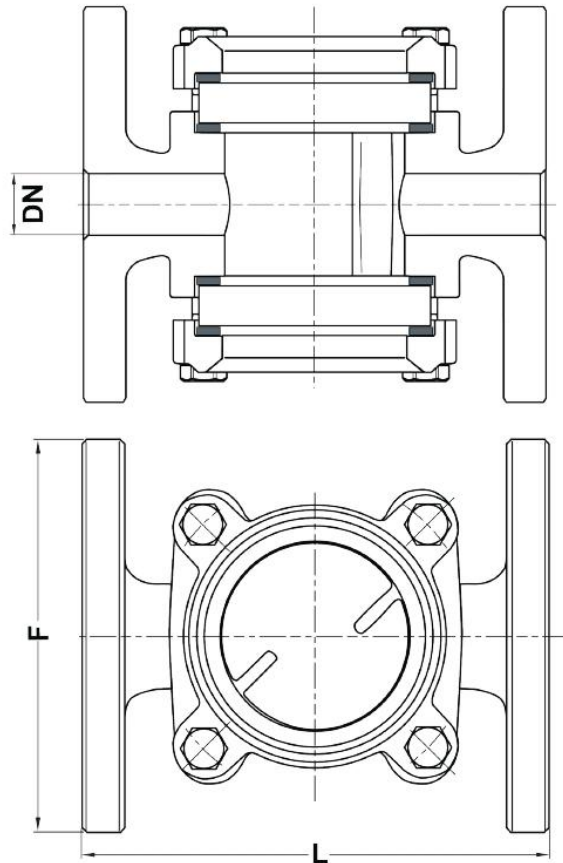
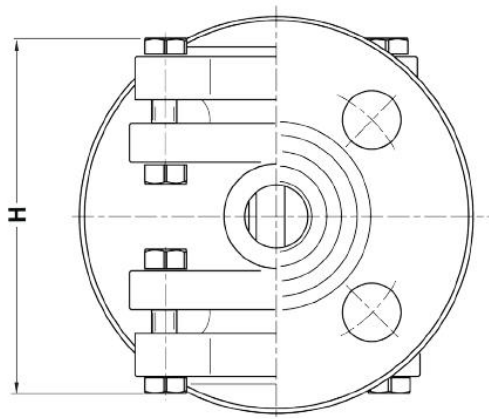




## FLANGED END SIGHT GLASS PN16 481222

No	Part	Material
1	Body	Rg5
2	Cap	Rg5
3	Class	Tempered glass
4	Gasket	PTFE
5	Bolt	Brass



Variants: Other dimensions/materials on request

DN	F	H	L	Max working pressure		Weight Kg
				Mpa	200C°	
15	85	85	115	1.0		2,0
20	105	92	120	1.0		2,1
25	115	92	135	1.0		2,6
32	140	111	150	1.0		4,3
40	150	119	180	1.0		4,4
50	165	142	200	1.0		7,2
65	185	163	240	1.0		10,5
80	200	201	260	1.0		13,0
100	220	216	300	1.0		18,0