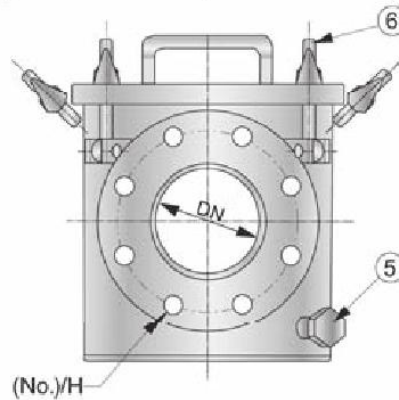
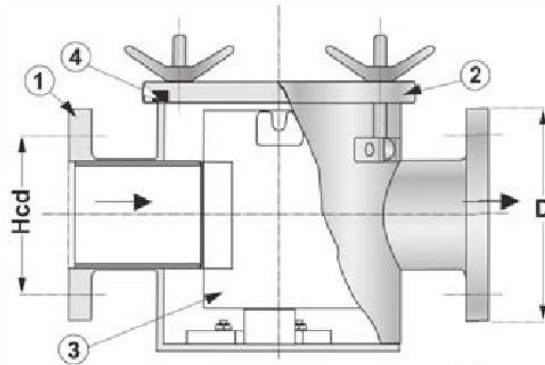


MUD BOX PN4 482061

No	Part	Material
1	Body	Hot dip galvanized steel
2	Bonnet	Hot dip galvanized steel
3	Strainer	Stainless steel SS316
4	Gasket	Perbunan-rubber
5	Plug	Hot dip galvanized steel
6	Finger nut	Brass



Standard Mesh-size:
DN 40- 65 5x5 mm
DN 80-500 8x8 mm

Variants:
Other mesh-sizes
With test valve
Other dimensions/materials on request

Flanges drilled according to PN10

DN	Inch	D	n x Ød	Hcd	L	H	Max working-pressure		Weight Kg
							Mpa	80 °C	
40	1½"	150	4x18	110			0,4		
50	2"	165	4x18	125			0,4		
65	2½"	185	4x18	145			0,4		
80	3"	200	8x18	160			0,4		
100	4"	220	8x18	180			0,4		
125	5"	250	8x18	210			0,4		
150	6"	285	8x22	240			0,4		
200	8"	340	8x22	295			0,4		
250	10"	395	12x22	350			0,4		
300	12"	445	12x22	400			0,4		
350	14"	505	16x22	460			0,4		
400	16"	565	20x26	565			0,4		
450	18"	670	20x26	620			0,4		