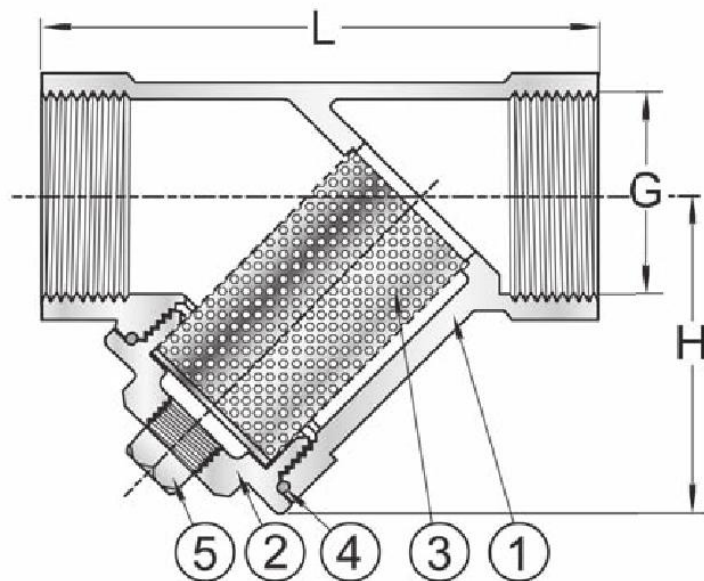




STRAINER PN40 482294

No	Part	Material
1	Body	Stainless steel SS316
2	Cap	Stainless steel SS316
3	Strainer	Stainless steel SS304
4	Gasket	PTFE
5	Plug	Stainless steel SS316



Standard Mesh-size:
1 mm

Variants:
Other mesh-sizes
Other dimensions/materials on request

DN	Inch	L	H	Max working-pressure		Weight Kg
				Mpa 80 °C	Mpa 180 °C	
8	1/4"	57	32	4,0	2,9	0,3
10	3/8"	57	32	4,0	2,9	0,3
15	1/2"	61	37	4,0	2,9	0,3
20	3/4	70	41	4,0	2,9	0,3
25	1"	86	47	4,0	2,9	0,3
32	1 1/4"	100	54	4,0	2,9	0,3
40	1 1/2"	111	62	4,0	2,9	0,3
50	2"	138	76	4,0	2,9	0,3
65	2 1/2"	172	91	4,0	2,9	0,3
80	3"	205	110	4,0	2,9	0,3