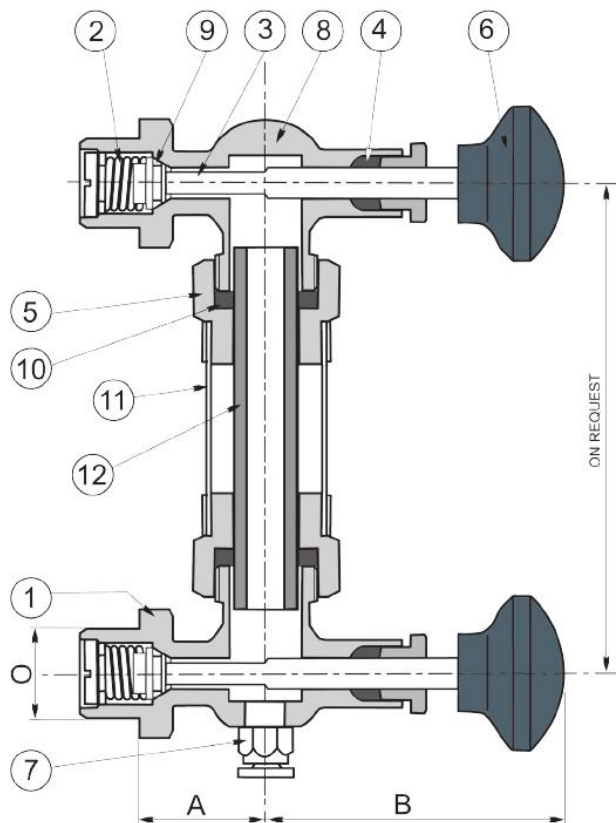




LIQUID LEVEL GAUGE PN16 484422-C

No	Part	Material
1	Body lower	Gun metal
2	Spring	Stainless steel
3	Stem	Special brass
4	Packing	Graphite
5	Gland nut	Special brass
6	Pushbutten	Bakelite
7	Tap drain valve	Special brass
8	Body upper	Gun metal
9	Gasket	Viton
10	Packing	Viton
11	Protecting pipe	Brass
12	Sight glass	Borosilcate glass
13		



Variants:

Other dimensions/materials on request

DN	A	B	O	Max working-pres- sure		Weight Kg
				Mpa	100C°	
15	30	70	R 1/2			0,3
20	30	75	G 3/4			0,4