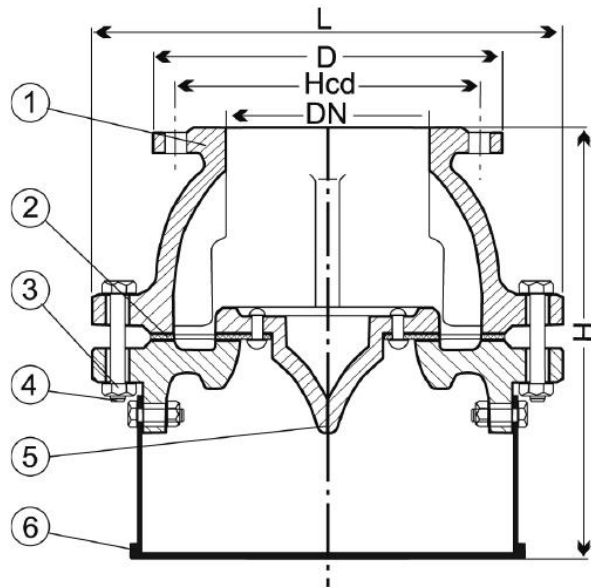




FOOT VALVE PN10 485451

No	Part	Material
1	Body	Cast iron GG25
2	Gasket	Rubber
3	Nut	Gr.5 Steel zinkplated
4	Bolt	Gr.5,6
5	Disc	Cast iron GG25
6	Screen	Carbon Steel



Variants:

Other dimensions/materials on request

DN	D	n	Hcd	d	L	H			Weight Kg
40	150	4	110	18	160	190			5
50	165	4	125	18	180	225			9
65	185	4	145	18	220	270			14
80	200	8	160	18	240	290			19
100	220	8	180	18	290	330			24
125	250	8	210	18	340	370			35
150	285	8	240	22	390	410			45
200	340	8	295	22	460	515			76
250	395	12	350	22	525	575			90
300	445	12	400	22	600	650			120
350	505	16	460	22	660	700			170
400	565	16	515	26	705	750			230