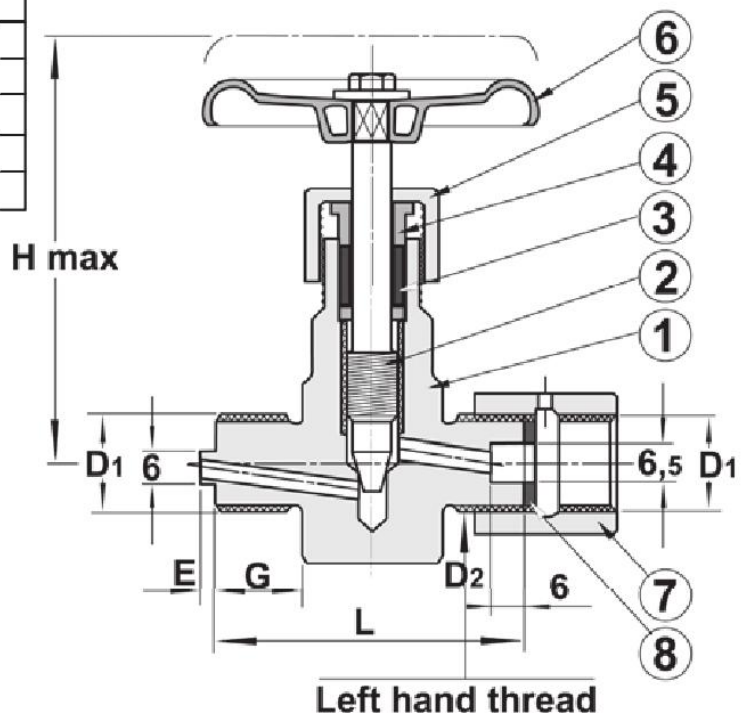




PRESSURE GAUGE VALVE PN100 490515

No	Part	Material
1	Body	Brass
2	Stem	Brass
3	Glandpacking	Graphite
4	Gland	Brass
5	Glandnut	Brass
6	Handwheel	Pressed steel
7	Nipple	Brass
8	Packing	Graphite



Application:

Locked gland nut
Shutting off towards pressure gauge.
Other materials on request.

DN	D1	D2	L	G	E	Hmax	Max working-pressure		Weight Kg
							Mpa 100 °C	Mpa 185 °C	
8	G 1/4" B	G 1/4" BV	50	13	3	72	10,0	8,5	0,28
10	G 3/8" B	G 3/8" BV	54	15	3	72	10,0	8,5	0,31
15	G 1/2" B	G 1/2" BV	64	20	5	78	10,0	8,5	0,43