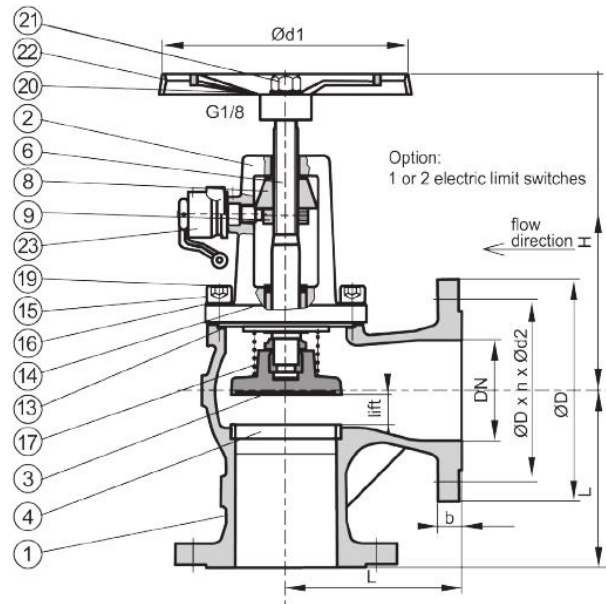


## QUICK CLOSING-VALVE PN10/16 567101/ 567102

No	Part	Material
1	Body	GGG 40.3
2	Bonnet	GGG 40.3
3	Cone	1.4021
4	Seat	1.4301
6	Stem	1.4021
8	Square nut	Steel
9	Indicator	Steel
13	Gasket	PTFE
14*	Groove ring	Viton
15	Stud bolt	Steel
16	Hex. nut	Steel
17	Spring	Spring steel
19*	Mud stripper	NBR
20	Washer	Spring steel
21	Hex. nut	Steel
22	Hand Wheel	GG-20
23	Release mechanism	Stainless steel

\*Recommended spare parts



Variants: Body and Bonnet in steel GS-C25

DN	D	n	Hcd	d	L	Max working-pressure		Weight Kg
						Mpa 120 °C	Mpa 180 °C	
15	95	4	65	14	90	1,6	1,0	4,3
20	105	4	75	14	95	1,6	1,0	5,8
25	115	4	85	14	100	1,6	1,0	6,0
32	140	4	100	18	105	1,6	1,0	11,2
40	150	4	110	18	115	1,6	1,0	12,9
50	165	4	125	18	125	1,6	1,0	15,3
65	185	4	145	18	145	1,6	1,0	29,7
80	200	8	160	18	155	1,6	1,0	34,0
100	220	8	180	18	175	1,6	1,0	45,3
125	250	8	210	18	200	1,6	1,0	57,0
150	285	8	240	22	225	1,6	1,0	76,5
<b>567101 PN10</b>								
200	340	8	295	22	275	1,0	0,6	165,0
250	395	12	350	22	325	1,0	0,6	208,0