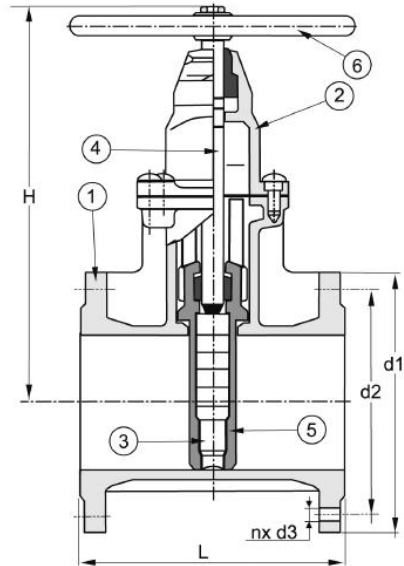


RESILENT SEATED GATE VALVE PN10/16 620301/ 620302

No	Part	Material
1	Body	Nodular Cast iron GGG40.3
2	Bonnet	Nodular Cast iron GGG40.3
3	Wedge	Nodular Cast iron GGG40.3
4	Stem	Stainless steel X20Cr13
5	Seal	NBR or EPDM
6	Handwheel	Cast iron
7		
8		
9		
10		
11		
12		
13		
14		
15		



Variants:
 DN 200-300 available PN16
 With drain plug
 Various actuators
 Other dimensions/materials on request

DN	d1	n	d2	d3	L	H	Max working-pressure		Weight Kg
							Mpa	120 °C	
40	150	4	110	18	140	221	1,6		11,8
50	165	4	125	18	150	225	1,6		12,7
65	185	4	145	18	170	267	1,6		18,6
80	200	8	160	18	180	275	1,6		19,6
100	220	8	180	18	190	315	1,6		25,0
125	250	8	210	18	200	395	1,6		41,0
150	285	8	240	22	210	408	1,6		46,0
620301 PN10									
200	340	12	295	22	230	530	1,0		78,0
250	395	12	350	22	250	640	1,0		110,0
300	445	12	400	22	270	720	1,0		144,0