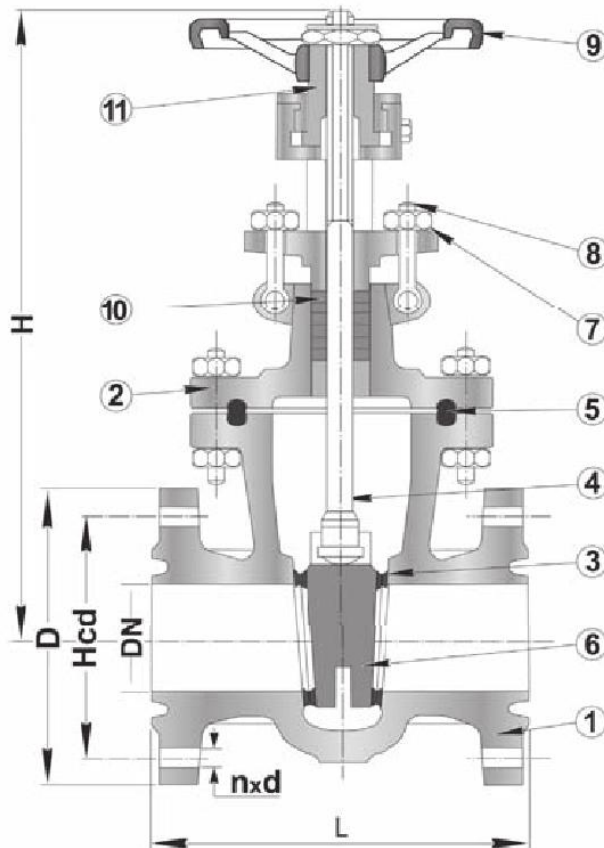


GATE VALVE PN100 620766

No	Part	Material
1	Body	Cast steel GS-C25
2	Bonnet	Cast steel GS-C25
3	Seat ring	Stainless steel
4	Stem	X 20Cr13
5	Gasket	Graphite
6	Wedge	Cast steel GS-C25
7	Nuts	Gr.8
8	Studs	Gr.5-8
9	Handwheel	Cast iron
10	Packing	Graphite
11	Yoke sleeve	Brass



Variants:
Other dimensions/materials on request

DN	D	n x Ø d	Hcd	L	H	Max working-pressure		Weight Kg
						Mpa 120 °C	Mpa 400 °C	
50	180	4x22	135	250	410	10	4,5	50
65	205	8x22	160	290	520	10	4,5	70
80	215	8x22	170	310	530	10	4,5	100
100	250	8x26	200	350	600	10	4,5	110
125	295	8x30	240	400	720	10	4,5	180
150	345	8x33	280	450	770	10	4,5	250
200	430	12x41	360	550	920	10	4,5	360
250	500	12x41	430	650	1170	10	4,5	