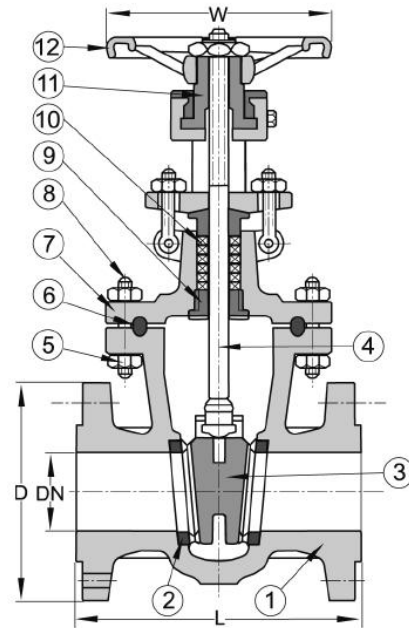


GATE VALVE ANSI 150 - 620767

No	Part	Material
1	Body	A216 WCB
2	Seat ring	13% Cr / 13% Cr
3	Wedge	A216 WCB
4	Stem	A182 F 6a
5	Nut	A194 - 2H
6	Gasket	Low carbon steel
7	Bonnet	A216 WCB
8	Stud	A193 B7
9	Back seat	A182 F 6
10	Packing	Graphite
11	Yoke sleeve	A439 D2
12	Handwheel	A126 cl B
13		
14		
15		



Variants:

Other dimensions/materials on request

DN	D	n	Hcd	d	L	Max working-pressure, Mpa		Weight Kg
						-29 to 38 °C	400 °C	
50	152	4	121	18	178	1,96	1,58	21,0
65	178	4	140	18	191	1,96	1,58	27,0
80	191	4	152	21	203	1,96	1,58	37,0
100	229	8	191	24	229	1,96	1,58	54,5
125	254	8	216	24	254	1,96	1,58	70,0
150	279	8	241	25	267	1,96	1,58	84,0
200	343	8	298	29	292	1,96	1,58	125,0
250	406	12	362	30	330	1,96	1,58	198,0
300	483	12	432	32	356	1,96	1,58	272,0
350	533	12	476	35	381	1,96	1,58	364,5
400	597	16	540	36	406	1,96	1,58	490,0
450	635	16	578	40	432	1,96	1,58	650,0
500	698	20	635	43	457	1,96	1,58	860,0
600	813	20	749	48	508	1,96	1,58	1200,0