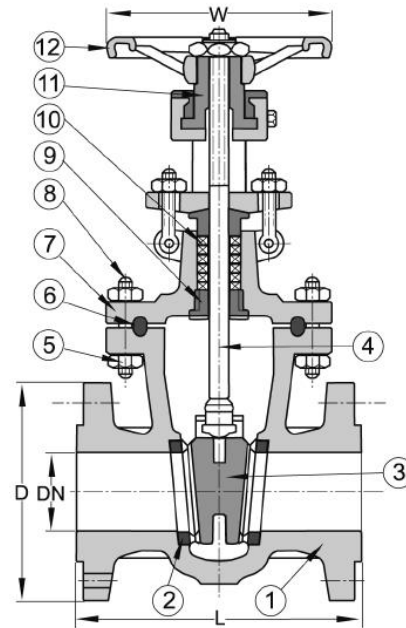


GATE VALVE ANSI 300 - 620768

No	Part	Material
1	Body	A216 WCB
2	Seat ring	13% Cr / 13% Cr
3	Wedge	A216 WCB
4	Stem	A182 F 6a
5	Nut	A194 - 2H
6	Gasket	Low carbon steel
7	Bonnet	A216 WCB
8	Stud	A193 B7
9	Backseat	A182 F 6
10	Packing	Graphite
11	Yoke sleeve	A439 D2
12	Handwheel	A126 cl B
13		
14		
15		



Variants:

Other dimensions/materials on request

DN	D	n	Hcd	d	L	Max working-pressure, Mpa		Weight Kg
						-29 to 38 °C	400 °C	
50	165	8	127	19	216	5,1	4,51	28,0
65	191	8	149	22	241	5,1	4,51	40,0
80	210	8	168	22	283	5,1	4,51	52,0
100	254	8	200	22	305	5,1	4,51	76,0
125	279	8	200	22	381	5,1	4,51	106,0
150	318	12	270	22	403	5,1	4,51	149,0
200	381	12	330	25	419	5,1	4,51	228,0
250	445	16	387	29	457	5,1	4,51	330,0
300	521	16	451	32	502	5,1	4,51	465,0