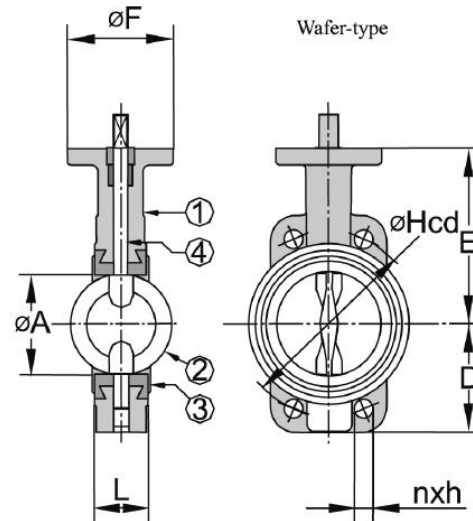


VALVE CENTER

INDUSTRIAL VALVE STOCKIST, ACTUATORS AND RELATED EQUIPMENT

BUTTERFLY VALVE PN16 / 10 - 702702 - 702701

No	Part	Material
1	Body	Nodular Cast iron GGG40.3
2	Disc	Alu.Bronze
3	Seal (702702)	Viton
4	Stem	Stainless steel SS316



Variants:

With handlever

Various actuators and gearboxes

Viton- and Teflon-seal

DN 200-600 available PN16

Other dimensions/materials on request

DN	F	nxd	Hcd	L	D	E	Max working-pressure Mpa		Weight Kg
							Viton 150 °C	EPDM 110 °C	
40	90	4 x 18	110	40	59	110	1,6	1,6	2,7
50	90	4 x 18	125	43	64	120	1,6	1,6	2,9
65	90	4 x 18	145	46	71	125	1,6	1,6	4,1
80	90	4 x 18	160	46	94	135	1,6	1,6	4,4
100	90	4 x 18	180	52	103	155	1,6	1,6	5,6
125	90	4 x 18	210	56	117	155	1,6	1,6	7,1
150	90	4 x 22	240	56	137	175	1,6	1,6	8,4
701702/701701 PN10									
200	90	4 x 22	295	60	168	215	1,0	1,0	20,0
250	125	4 x 23	350	68	203	230	1,0	1,0	29,0
300	125	4 x 23	400	78	242	310	1,0	1,0	34,0
350	125	4 x 23	460	78	280	330	1,0	1,0	42,0
400	175	4 x 28	515	102	330	375	1,0	1,0	62,0
500	210	4 x M24	620	127	385	445	1,0	1,0	111,0
600	210	4 x M27	725	154	455	520	1,0	1,0	210,0