

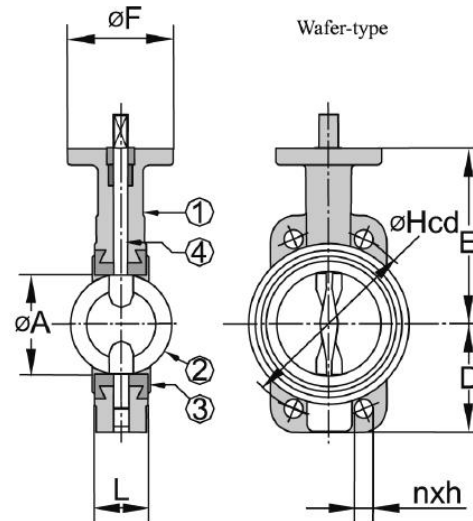
VALVE CENTER



INDUSTRIAL VALVE STOCKIST, ACTUATORS AND RELATED EQUIPMENT

BUTTERFLY VALVE PN16 / 10 - 702902 - 702901

| No | Part | Material |
|----|---------------|---------------------------|
| 1 | Body | Nodular Cast iron GGG40.3 |
| 2 | Disc | SS 316 |
| 3 | Seal (702902) | Viton |
| 4 | Stem | Stainless steel SS316 |



Variants:

With handlever
 Various actuators and gearboxes
 Viton- and Teflon-seal
 DN 200-600 available PN16

Other dimensions/materials on request

| DN | F | nxd | Hcd | L | D | E | Max working-pressure Mpa | | Weight Kg |
|---------------------------|-----|---------|-----|-----|-----|-----|--------------------------|-------------|-----------|
| | | | | | | | Viton 150 °C | EPDM 110 °C | |
| 40 | 90 | 4 x 18 | 110 | 40 | 59 | 110 | 1,6 | 1,6 | 2,7 |
| 50 | 90 | 4 x 18 | 125 | 43 | 64 | 120 | 1,6 | 1,6 | 2,9 |
| 65 | 90 | 4 x 18 | 145 | 46 | 71 | 125 | 1,6 | 1,6 | 4,1 |
| 80 | 90 | 4 x 18 | 160 | 46 | 94 | 135 | 1,6 | 1,6 | 4,4 |
| 100 | 90 | 4 x 18 | 180 | 52 | 103 | 155 | 1,6 | 1,6 | 5,6 |
| 125 | 90 | 4 x 18 | 210 | 56 | 117 | 155 | 1,6 | 1,6 | 7,1 |
| 150 | 90 | 4 x 22 | 240 | 56 | 137 | 175 | 1,6 | 1,6 | 8,4 |
| 701902/701901 PN10 | | | | | | | | | |
| 200 | 90 | 4 x 22 | 295 | 60 | 168 | 215 | 1,0 | 1,0 | 20,0 |
| 250 | 125 | 4 x 23 | 350 | 68 | 203 | 230 | 1,0 | 1,0 | 29,0 |
| 300 | 125 | 4 x 23 | 400 | 78 | 242 | 310 | 1,0 | 1,0 | 34,0 |
| 350 | 125 | 4 x 23 | 460 | 78 | 280 | 330 | 1,0 | 1,0 | 42,0 |
| 400 | 175 | 4 x 28 | 515 | 102 | 330 | 375 | 1,0 | 1,0 | 62,0 |
| 500 | 210 | 4 x M24 | 620 | 127 | 385 | 445 | 1,0 | 1,0 | 111,0 |
| 600 | 210 | 4 x M27 | 725 | 154 | 455 | 520 | 1,0 | 1,0 | 210,0 |