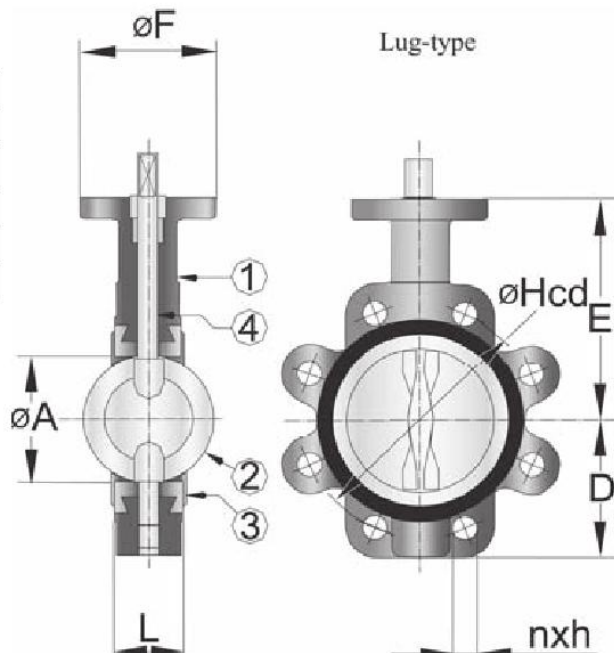


BUTTERFLY VALVE PN16 / 10 - 710772 - 7117721

| No | Part | Material |
|----|---------------|-----------------------|
| 1 | Body | Aluminium bronze |
| 2 | Disc | Aluminium bronze |
| 3 | Seal (710772) | Nitril (NBR) |
| | Seal (711772) | EPDM |
| 4 | Stem | Stainless steel SS316 |

Variants:

With handlever
 Various actuators and gearboxes
 Viton- and Teflon-seal
 DN 200-600 available to fit PN16
 available to fit PN6
 Other dimensions/materials on request



| DN | F | nxØd | Hcd | L | D | E | Max working pressure Mpa | | Weight Kg |
|---------------------------|-----|----------|-----|-----|-----|-----|-----------------------------|----------------|--------------|
| | | | | | | | NBR 80 °C | EPDM 110 °C | |
| 40 | 90 | 4 x M16 | 110 | 33 | 59 | 110 | 1,6 | 1,6 | 3,7 |
| 50 | 90 | 4 x M16 | 125 | 43 | 64 | 120 | 1,6 | 1,6 | 4,2 |
| 65 | 90 | 4 x M16 | 145 | 46 | 71 | 125 | 1,6 | 1,6 | 5,7 |
| 80 | 90 | 8 x M16 | 160 | 46 | 94 | 135 | 1,6 | 1,6 | 8,7 |
| 100 | 90 | 8 x M16 | 180 | 52 | 103 | 155 | 1,6 | 1,6 | 9,2 |
| 125 | 90 | 8 x M16 | 210 | 56 | 117 | 155 | 1,6 | 1,6 | 12,7 |
| 150 | 90 | 8 x M20 | 240 | 56 | 137 | 175 | 1,6 | 1,6 | 13,7 |
| 710771/711771 PN10 | | | | | | | | | |
| 200 | 90 | 8 x M20 | 295 | 60 | 168 | 215 | 1,0 | 1,0 | 22,2 |
| 250 | 125 | 12 x M20 | 350 | 68 | 203 | 230 | 1,0 | 1,0 | 32,7 |
| 300 | 125 | 12 x M20 | 400 | 78 | 242 | 310 | 1,0 | 1,0 | 47,6 |
| 350 | 125 | 16 x M20 | 460 | 78 | 280 | 330 | 1,0 | 1,0 | 70,3 |
| 400 | 175 | 16 x M24 | 515 | 102 | 330 | 375 | 1,0 | 1,0 | 88,4 |
| 450 | 210 | 16 x M24 | 565 | 114 | 365 | 380 | 1,0 | 1,0 | 74,0 |
| 500 | 210 | 20 x M24 | 620 | 127 | 385 | 445 | 1,0 | 1,0 | 179,6 |
| 600 | 210 | 20 x M27 | 725 | 154 | 455 | 520 | 1,0 | 1,0 | 267,7 |