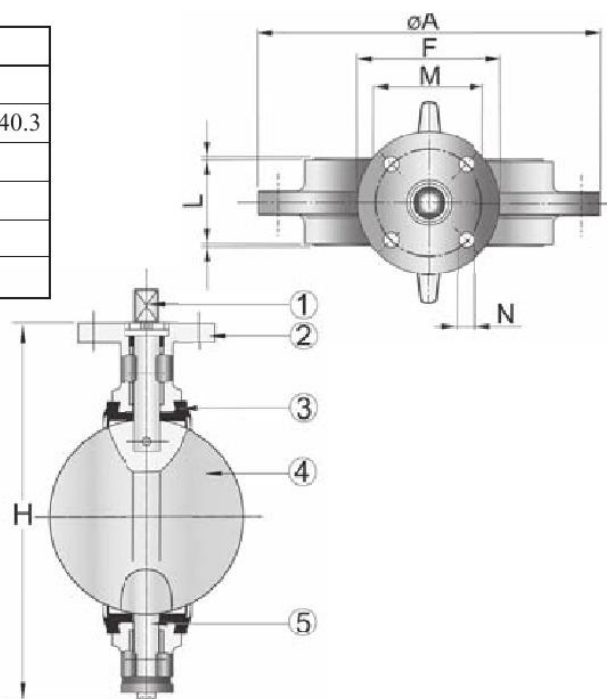


No	Part	Material
1	Shaft	Stainless steel SS316
2	Body	Nodular Cast iron GGG40.3
3	Seal (720702)	Nitril (NBR)
	Seal (721702)	EPDM
4	Disc	Aluminium bronze
5	Shaft	Stainless steel SS316



**Variants:**  
 With handlever  
 Various actuators and gearboxes  
 Viton- and Teflon-seal  
 DN 200-600 available to fit PN16  
 Other dimensions/materials on request

DN	A	L	F	M	N	H	Max working pressure Mpa		Weight Kg
							NBR 80 °C	EPDM 110 °C	
40	150	33	90	66	9	186	1,6	1,6	3,5
50	165	43	90	66	9	198	1,6	1,6	4,0
65	185	46	90	66	9	216	1,6	1,6	4,5
80	200	64	90	66	9	232	1,6	1,6	6,0
100	220	64	90	66	9	252	1,6	1,6	7,0
125	250	70	110	80	11	298	1,6	1,6	8,5
150	285	76	110	80	11	318	1,6	1,6	10,0
<b>720701/721701 PN10</b>									
200	340	89	130	80	11	409	1,0	1,0	21,0
250	396	114	175	135	14	451	1,0	1,0	34,0
300	445	114	175	135	14	506	1,0	1,0	41,0
350	505	127	175	135	14	582	1,0	1,0	50,0
400	565	140	175	135	14	632	1,0	1,0	58,0
450	615	152	175	135	14	725	1,0	1,0	110,0
500	670	152	175	135	14	780	1,0	1,0	130,0