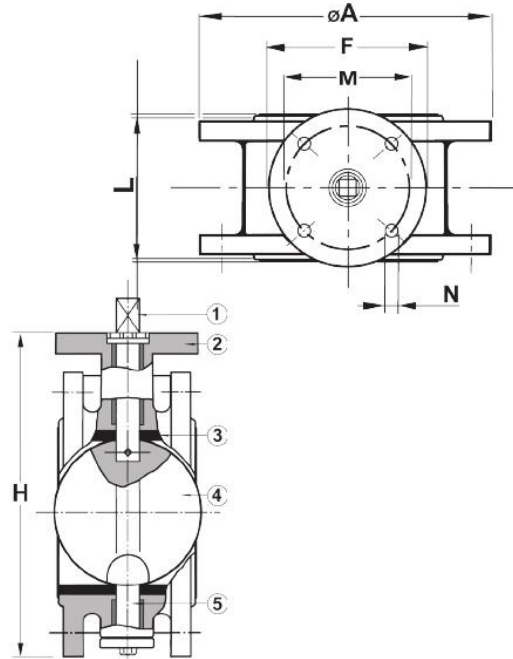




BUTTERFLY VALVE DOUBLE - FLANGED PN16 / 10 - 730702 - 731702

No	Part	Material
1	Shaft	Stainless steel SS316
2	Body	Nodular Cast iron GGG40.3
3	Seal (730702)	Nitril (NBR)
	Seal (731702)	EPDM
4	Disc	Aluminium bronze
5	Shaft	Stainless steel SS316



Variants:

With handlever
 Various actuators and gearboxes
 Viton seal
 DN 200-600 available to fit PN16

Other dimensions/materials on request

DN	A	L	F	M	N	H	Max working-pressure Mpa		Weight Kg
							NBR 80 °C	EPDM 110 °C	
50	165	120	90	66	9	216	1,6	1,6	8,5
65	185	120	90	66	9	216	1,6	1,6	11,0
80	200	120	110	66	9	232	1,6	1,6	14,0
100	220	120	110	66	9	252	1,6	1,6	16,0
125	250	130	110	80	11	298	1,6	1,6	24,0
150	285	130	110	80	11	318	1,6	1,6	27,0
730701/731701 PN10									
200	340	150	130	80	11	409	1,0	1,0	38,0
250	405	160	175	135	14	466	1,0	1,0	60,0
300	460	180	175	135	14	516	1,0	1,0	70,0
350	520	180	175	135	14	582	1,0	1,0	90,0
400	580	220	175	135	14	632	1,0	1,0	115,0
450	640	220	175	135	14	705	1,0	1,0	130,0
500	715	220	175	135	14	760	1,0	1,0	180,0
600	840	220	200	160	18	893	1,0	1,0	260,0