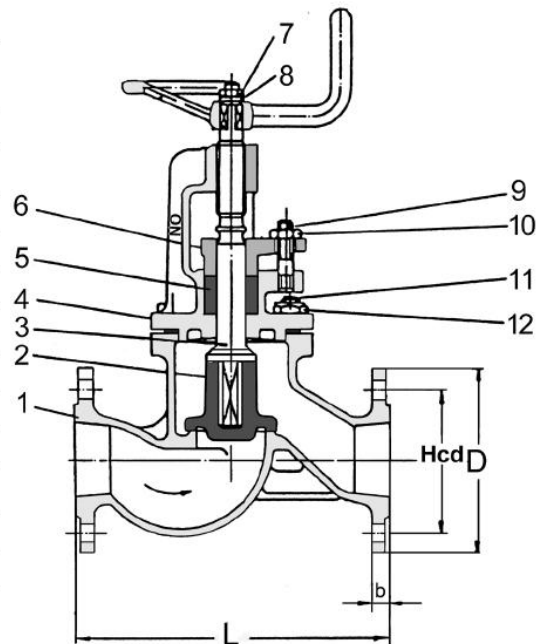


GLOBE VALVE PN10 850332

No	Part	Material
1	Body	Zincfree Bronze Cu Sn 10
2	Disc	Zincfree Bronze Cu Sn 10
3	Stem	Cu Sn 8
4	Bonnet	Zincfree Bronze Cu Sn 10
5	Gland packing	PTFE
6	Gland	Zincfree Bronze Cu Sn 10
7	Nut	Cu Sn 6 F35
8	Washer	Cu Sn 8
9	Bolt	Cu Sn 8
10	Nut	Cu Sn 6 F35
11	Bolt	Cu Sn 8
12	Nut	Cu Sn 6 F35



Variants:

S.D.N.R. = Non return disc

Soft sealed

Other dimensions/materials on request

DN	D	n	Hcd	d	b	L	Max working-pressure		Weight Kg
							Mpa	Mpa	
40	108	6	84	M10	10	180	1,0		5,6
50	120	6	96	M10	10	210	1,0		6,6
70	140	8	116	M10	12	260	1,0		10,1
80	150	8	126	M10	12	280	1,0		12,5
100	172	10	148	M10	12	330	1,0		16,9
125	200	10	176	M10	14	390	1,0		23,5
150	226	12	202	M10	14	450	1,0		30,1
175	264	14	240	M10	14	530	0,4		43,1
200	288	16	264	M10	14	580	0,4		50,0
250	340	20	316	M10	14	700	0,4		81,2
300	392	24	368	M10	16	830	0,4		123,0