

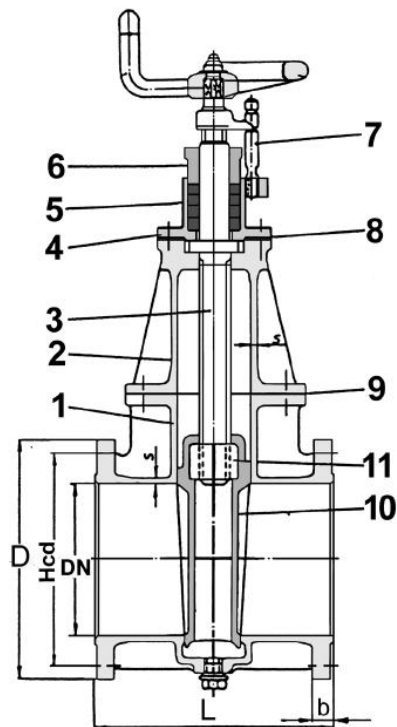
GATE VALVE PN10 850601

No	Part	Material
1	Body	Zincfree Bronze Cu Sn 10
2	Bonnet	Zincfree Bronze Cu Sn 10
3	Stem	Cu Sn 8
4	Bonnet flange	Zincfree Bronze Cu Sn 10
5	Gland packing	PTFE
6	Gland	Zincfree Bronze Cu Sn 10
7	Indicator	Cu Sn 5 Zn Pb
8	Packing	It Mo
9	Packing	It Mo
10	Disc	Zincfree Bronze Cu Sn 10
11	Disc nut	Zincfree Bronze Cu Sn 10
12		

Variants:

Soft sealed

Other dimensions/materials on request



DN	D	n	Hcd	d	b	L	Max working-pressure		Weight Kg
							Mpa	Mpa	
100	172	10	148	M10	12	180	1,0		18,0
125	200	10	176	M10	14	190	1,0		28,0
150	226	12	202	M10	14	190	1,0		34,0
175	264	14	240	M10	14	200	0,4		46,0
200	288	16	264	M10	14	210	0,4		64,0
250	340	20	316	M10	14	220	0,4		78,0
300	392	24	368	M10	16	230	0,4		99,0