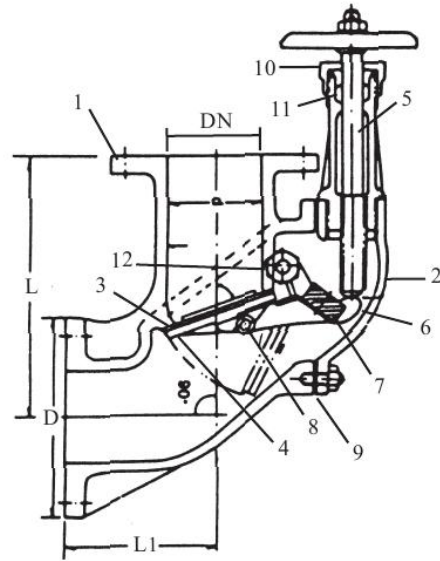




JIS STORM VALVE 5K - F - 3061

No	Part	Material
1	Body	Cast steel GSC25
2	Bonnet	Cast steel GSC25
3	Packing	Neopren
4	Disc	Bronze Rg5
5	Stem	Special brass
6	Disc lever	Bronze Rg5
7	Weight	Lead
8	Pin	Brass
9	Gasket	Graphite
10	Gland	Bronze Rg5
11	Gland packing	Graphite
12	Plug	Brass
13		
14		
15		



Other dimensions/materials on request

DN	D	n	Hcd	d	L	L1	Max working-pressure		Weight Kg
							Kg/cm ² 120 °C	Kg/cm ²	
50	130	4	105	15	170	90	5 bar		13,0
65	155	4	130	15	200	110	5 bar		19,0
80	180	4	145	19	220	120	5 bar		23,8
100	200	8	165	19	250	130	5 bar		29,6
125	235	8	200	19	270	150	5 bar		50,0
150	265	8	230	19	310	165	5 bar		67,0
200	320	8	280	23	400	190	5 bar		93