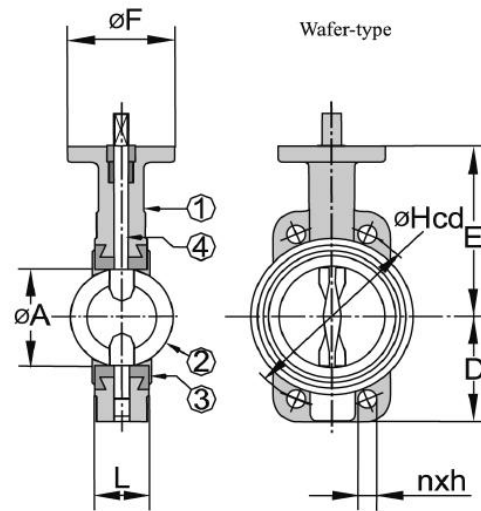


JIS BUTTERFLY VALVE - 5K / 10K - F - 700S

No	Part	Material
1	Body	Nodular Cast iron GGG40.3
2	Disc	Aluminium bronze
3	Seal	Nitril (NBR)
4	Seal	EPDM
5	Stem	Stainless steel SS316
6		
7		
8		
9		
10		
11		
12		
13		
14		
15		



Variants:

- Free shaft
- With handlever
- Various actuators and gearboxes
- Viton-seal

DN	F	nxh	C Acc.to SK/10K	L	D	E	Max working- pressure Mpa		Weight Kg
							NBR 80 °C	EPDM 110 °C	
40	90	4 x 18	-	33	59	110	16 bar	16 bar	2,7
50	90	4 x 18	-	43	64	120	16 bar	16 bar	2,9
65	90	4 x 18	-	46	71	125	16 bar	16 bar	4,1
80	90	4 x 18	-	46	94	135	16 bar	16 bar	4,4
100	90	4 x 18	-	52	103	155	16 bar	16 bar	5,6
125	90	4 x 18	-	56	117	155	16 bar	16 bar	7,1
150	90	4 x 22	-	56	137	175	16 bar	16 bar	8,4
200	90	4 x 22	-	60	168	215	16 bar	16 bar	20,0
250	125	4 x 23	-	68	203	230	10 bar	10 bar	29,0
300	125	4 x 23	-	78	242	310	10 bar	10 bar	34,0
350	125	4 x 23	-	78	280	330	10 bar	10 bar	42,0
400	175	4 x 28	-	102	330	375	10 bar	10 bar	62,0
500	210	4 x M24	-	127	385	445	10 bar	10 bar	111,0
600	210	4 x M27	-	154	455	520	10 bar	10 bar	210,0