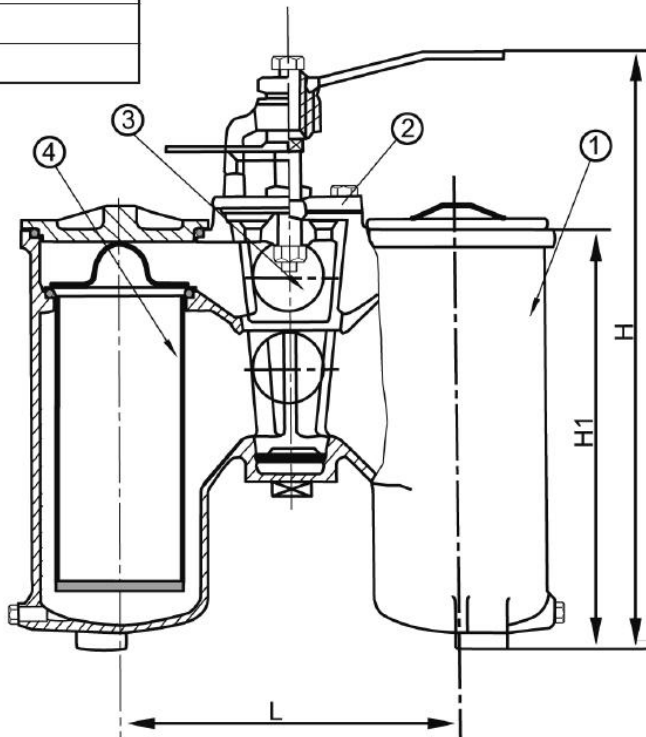




JIS DUPLEX STRAINER - F -7208

No	Part	Material
1	Body	Cast Iron
2	Bonnet	Cast Iron
3	Cocks	Bronze
4	Filter	Stainless steel



Variants:

Bronze
Duct iron

Other dimensions/materials on request

DN	H	L	Max working-pres- sure		Weight Kg
			Kg/cm ² 80 C°		
40	479	180	4		
50	479	180	4		
65	581	215	4		
80	669,5	245	4		
100	800,5	285	4		
125	953,5	330	4		
150	1299	410	4		
200	1520	490	4		